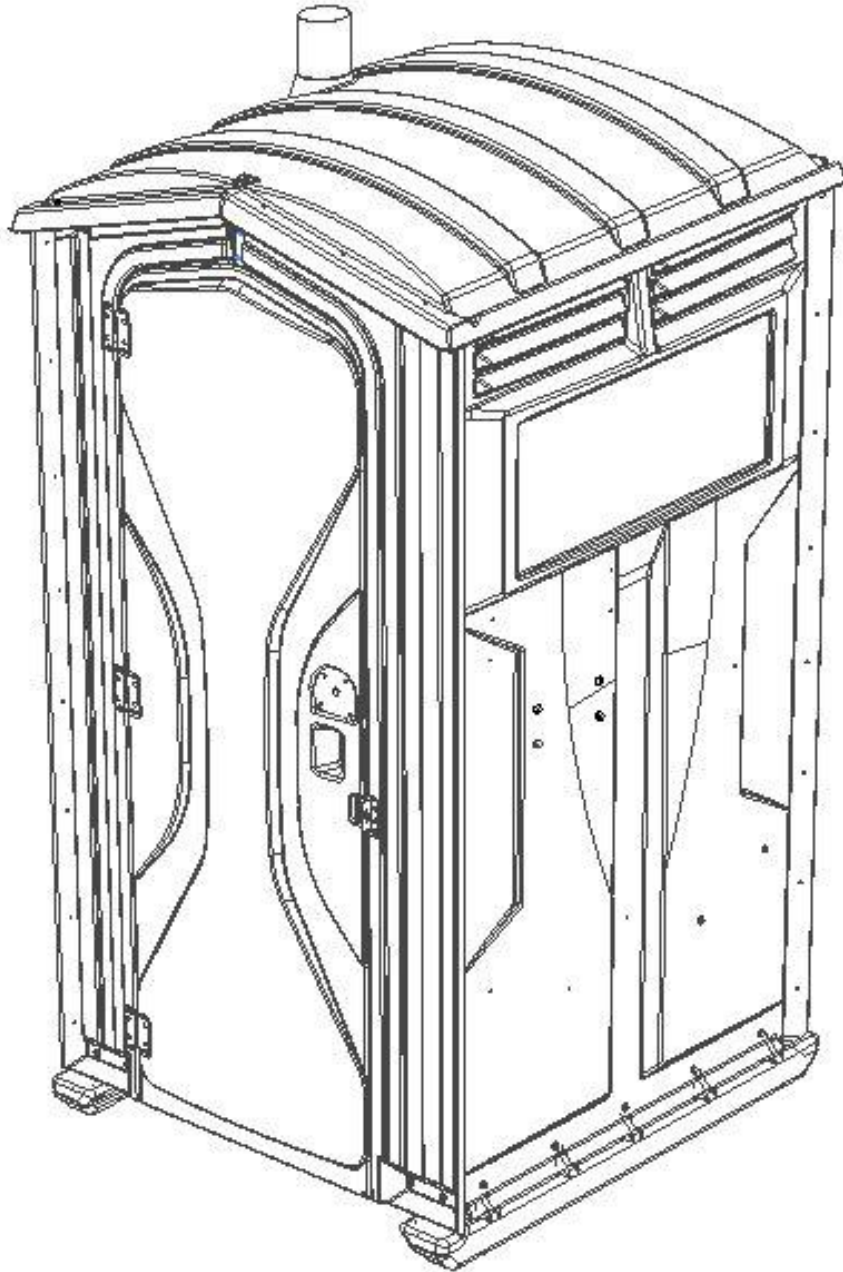


TUFWAY® POP RIVET

Portable Restroom Assembly Instructions



2530 Xenium Lane North, Minneapolis, MN 55441
Telephone: 763-553-1900 Fax: 763-553-1905
800-328-3332 / www.satelliteindustries.com

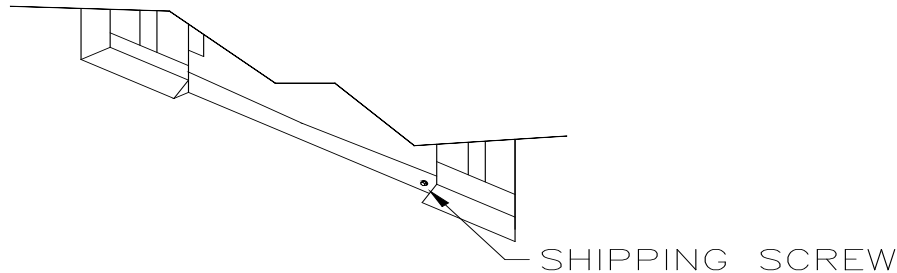
INTRODUCTION

Instructions for the Tufway portable restroom

Satellite restrooms must be assembled according to approved assembly procedures. Avoid variations in assembly which could adversely affect product life.

The assembly procedures are written for assembly of single units. If assembling multiple units, considerable efficiency can be gained by working in assembly line fashion.

IMPORTANT: *Do not remove shipping screw from door until instructed in the "Install the Front Assembly" step.*



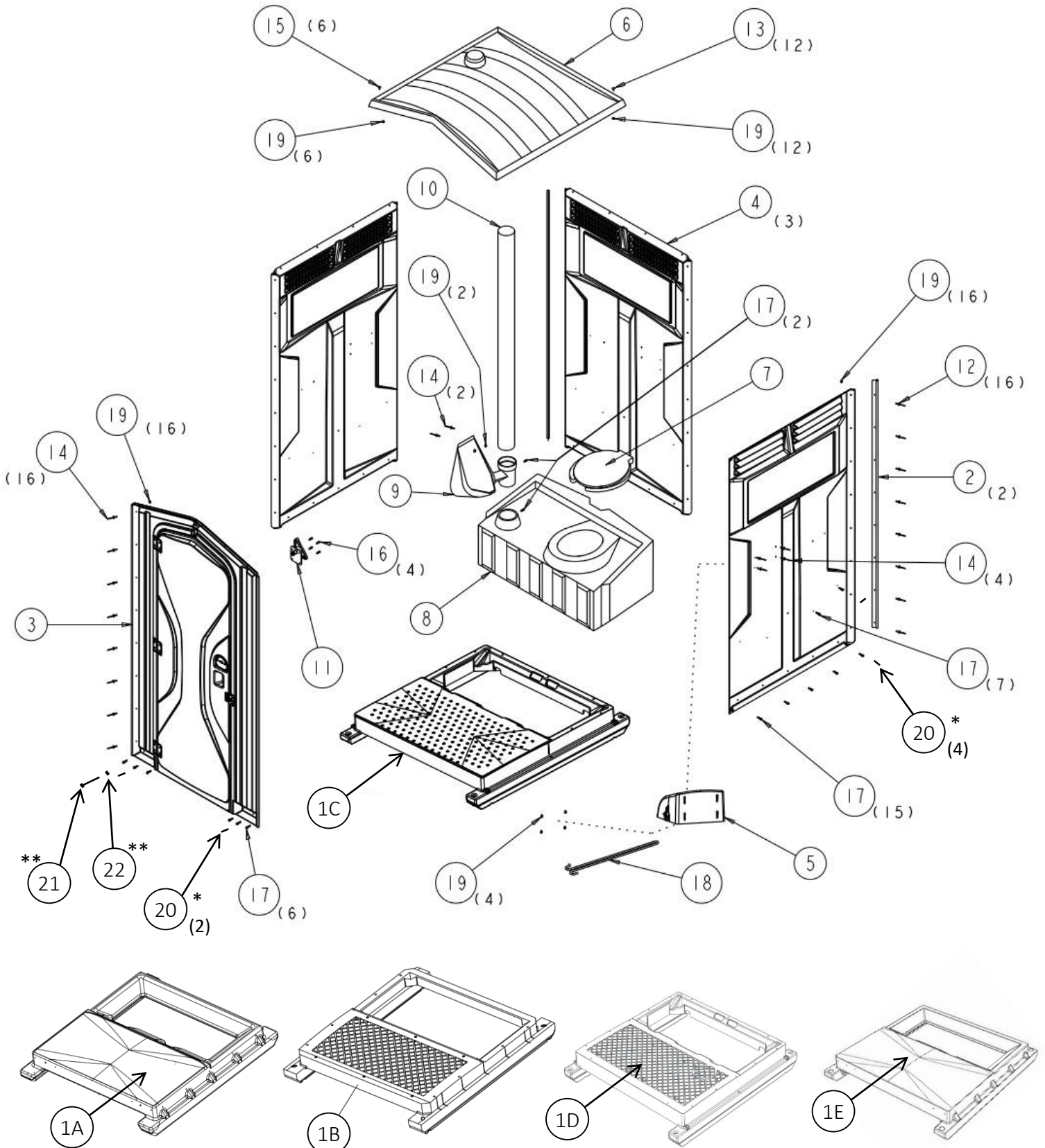
TOOLS

- RIVET GUN
- DRILL ELEC/CORDLESS
- 3/8 NUT DRIVER BIT
- 1/4 DRILL BIT
- DEBURRING TOOL
- #2 PHILLIPS SCREWDRIVER OR BIT
- APRONS (CARPENTERS)

HELPFUL HINTS

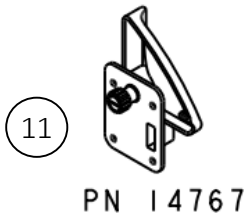
- Have an apron with at least two large pockets that allow the parts to be remove easily.
- Don't open up all your kit boxes. Open up only enough kit boxes to assemble the number of toilets you are currently working on. **KEEP PARTS ORGANIZED.**
- Use toilet paper holders for parts bins on multiple unit assembly
- The door latch can be put on at any time. It may be more efficient to have someone do this early on multiple unit assembly.

EXPLODED UNIT ASSEMBLY

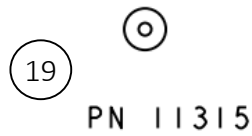
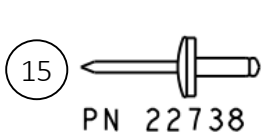
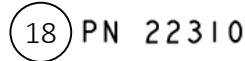
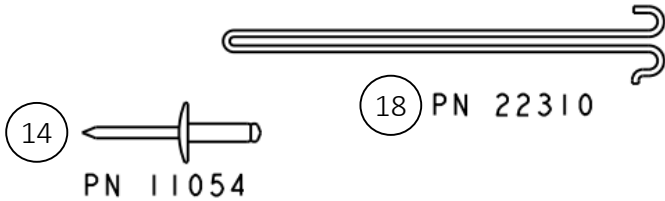
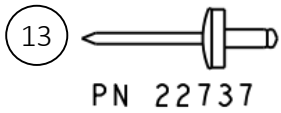


* USED WITH BLOW MOLDED BASE ONLY

** EUROPE ONLY



*

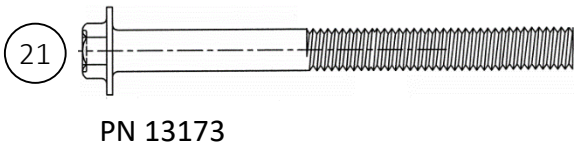
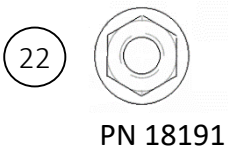


** EUROPE ONLY HARDWARE			
22	18191	1	NUT, 5/16" SERRATED FLANGE
21	13173	1	BOLT' 5/16 X 3-1/2 HWHD
20	22384	6	BOLT- 1/4-20 X 1-1/4 DOG PNT WSH

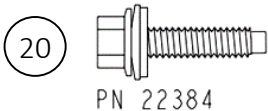
HDWE, TUFWAY 3 ROLL POP RIVET 22748			
19	11315	56	WASHER- 3/16" RIVET STNLS
18	22310	1	SPINDLE- PRGRD II 3 ROLL METAL
17	13860	30	SCREW, #14 X 1-1/2 W/WSH GOLD
16	10122	4	SCREW, #10 X 3/4 PN PH TAP
15	22738	6	RIVET, #68 POP W/RUBBER WASHER
14	11054	22	RIVET, #68 AAL POP
13	22737	12	RIVET, #66 POP W/RUBBER WASHER
12	11030	16	RIVET, #66 AAL POP
11	14767	1	LATCH, RESTROOM PLASTIC

**** EUROPE ONLY**

Use with Roto Base only



** Used With Blow Molded Base Only*

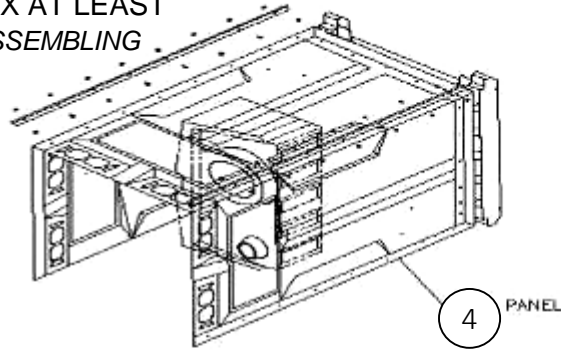


STANDARD TUFWAY				
10	14133	1	VENT PIPE. 4 X 62-1/2 GREY	
9	14119	1	URINAL, STAND OVER DGRY	
8	10553	1	TANK, TUFWAY DGRY	
7	10570	1	SEAT, TOILET	
6	16045	1	ROOF, TUFWAY DOME	
5	22209	1	HOOD- PAPERGRD 3 ROLL DGRY	
	22748	1	HDWE, TUFWAY 3 ROLL POP RIVET	
4	15450	3	DESIGN, TUFWAY PANEL	
3	15562	1	DESIGN, TUFWAY FRONT ASSY (STD)	
2	16050	2	CORNER MOLDING II BLACK PUNCH	
1	E	19014	1	BASE, TUFWAY ROTO MOLD DGRY
1	D	10033	1	BASE ASSY- IMPACT GRID FLOOR
1	C	10034	1	BASE ASSY- IMPACT SOLID FLOOR
1	B	40014	1	BASE, GB DIRT BUSTER
1	A	22234	1	BASE- BLOWMOLDED
ITEM	PART#	QTY	DESCRIPTION	

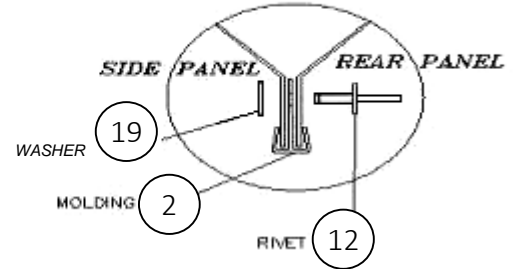
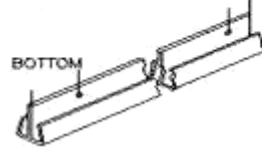
DIRECTIONS

1. JOIN PANELS TOGETHER WITH CORNER MOLDING

- SUPPORT THE REAR PANEL WITH A BOX AT LEAST 40" TALL BUT NOT WIDER THAN 41". IF ASSEMBLING SINGLE UNITS, USE THE WASTE TANK ON END.
- INSTALL RIVETS (PN 11030) FROM REAR PANEL WITH WASHER (PN 11315) ON THE SIDE PANEL.



DISTANCE FROM RIVET HOLE TO MOLDING END IS SHORTER AT TOP OF MOLDING



2. ATTACH BASE TO PANELS

TIP BASE UP AND POSITION INSIDE PANELS. USING THE DRILL AND 3/8" HEX DRIVER BIT. FASTEN PANELS TO BASE WITH LAG SCREWS (PN 13860) OR BOLTS PN 22384 BLOW BASE ONLY).

BLOWMOLDED BASE: LOCATE DIMPLES & INSERTS ON BASE (see below). FASTEN PANELS TO BASE WITH SCREWS & BOLTS. INSTALL REMAINING SCREWS IN HOLES.

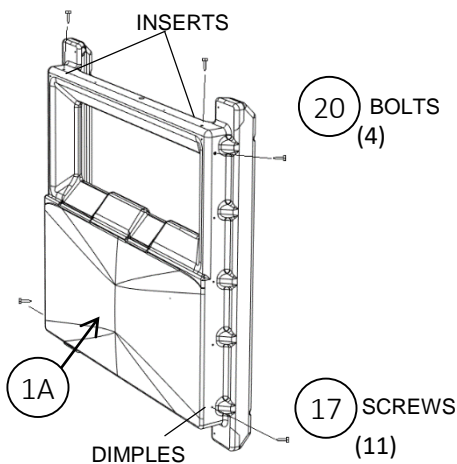
DIRT BUSTER BASE: FASTEN REAR PANEL FIRST. PANEL NEEDS TO BE FLUSH WITH TOP OF RUNNER. USE CENTER SCRIBE LINE ON BASE TO ALIGN PANEL, INSTALL SCREWS. REPEAT PROCESS ON SIDE PANELS USING SCRIBE LINES TO CENTER (see below)

NOTE: PANEL MUST BE FLUSH WITH BASE BEFORE FASTENING PANEL TO BASE.

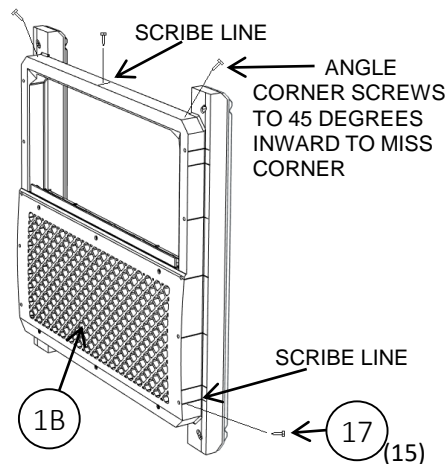
IMPACT BASES: FASTEN REAR PANEL FIRST. USE THE CENTERING BUMP ON THE BASE TO CENTER THE PANEL THEN FASTEN THE REAR PANEL WITH LAG SCREWS. ** REPEAT PROCESS ON SIDE PANELS, USE THE CENTERING BUMPS TO CENTER PANELS AND INSTALL REMAINING SCREWS (see below).

**** NOTE: SIDE PANELS MUST BE FLUSH WITH SPACING RIBS AT EACH CORNER.**

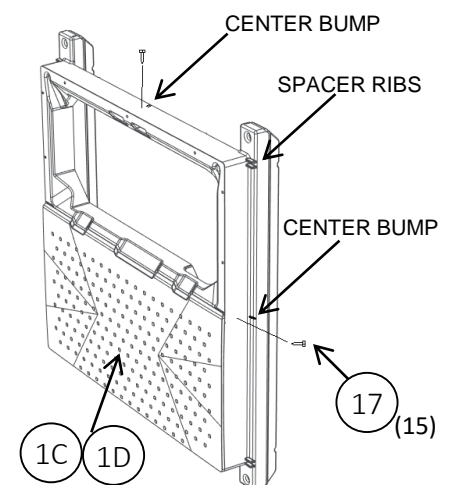
BLOWMOLDED



DIRT BUSTER BASE

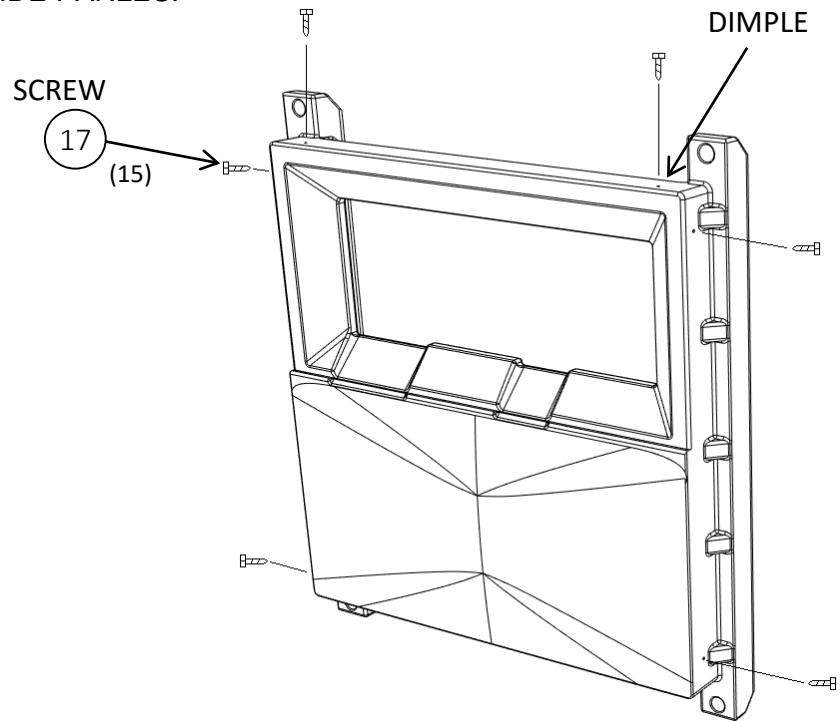


IMPACT BASES



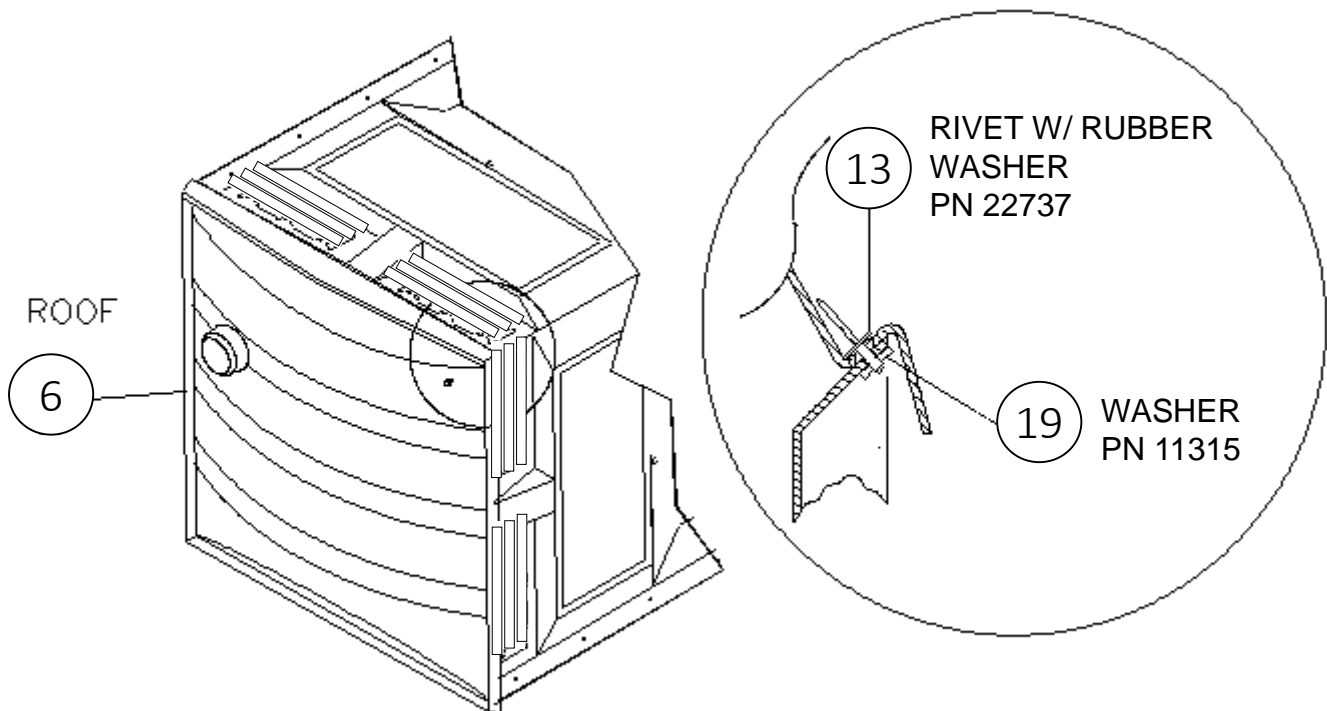
ROTO BASE:

- STARTING WITH REAR PANEL LOCATE DIMPLES ON BASE (see below).
- ALIGN OUTER PANEL HOLES WITH DIMPLES.
- USING THE DRILL AND 3/8" HEX DRIVER BIT INSTALL SCREWS (PN 13860).
- INSTALL REMAINING SCREWS IN HOLES.
- REPEAT PROCESS FOR SIDE PANLES.



3. ATTACH ROOF TO PANELS

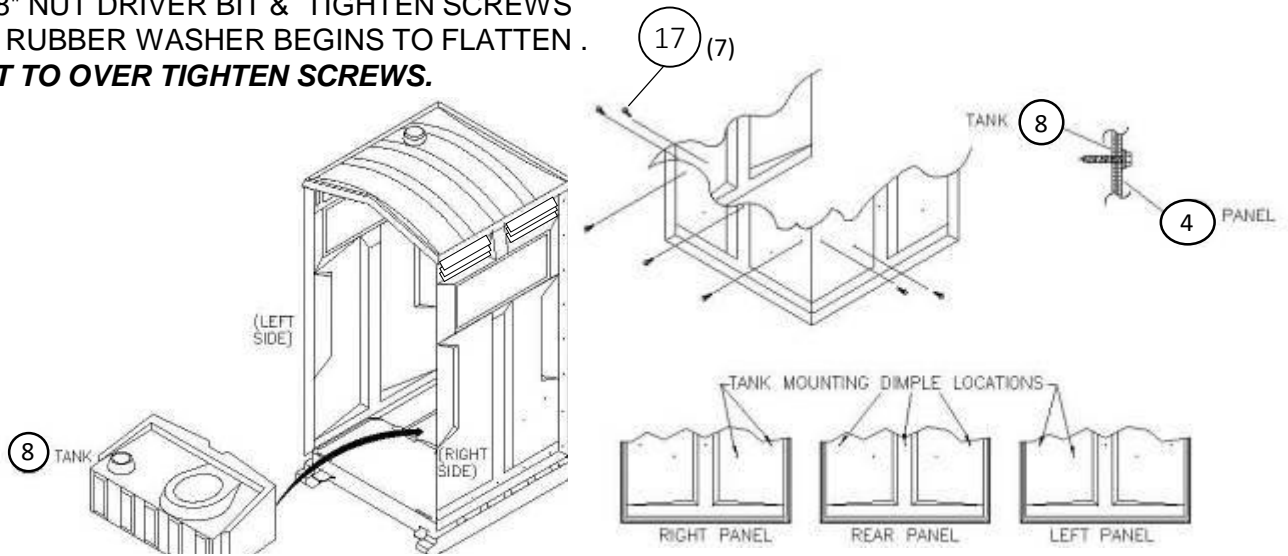
- TILT ROOF UP AND POSITION OVER PANELS.
- INSTALL ALL RIVETS (PN 22737) AND WASHERS (PN 11315)



STAND UNIT UP ON BASE FOR THE NEXT ASSEMBLY STEPS

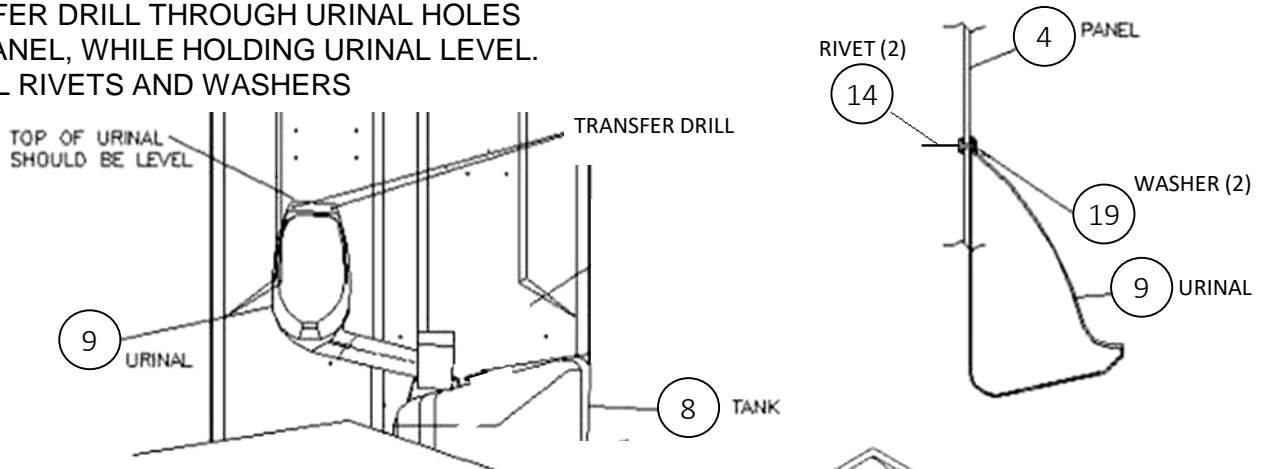
4. PLACE TANK IN UNIT

- THE TANK MUST BE SEATED PROPERLY WHILE ATTACHING THE SIDE PANELS, HAVE A PERSON STAND IN TANK WHILE LAGGING PANELS TO TANK.
- USE 3/8" NUT DRIVER BIT & TIGHTEN SCREWS UNTIL RUBBER WASHER BEGINS TO FLATTEN. **DO NOT TO OVER TIGHTEN SCREWS.**



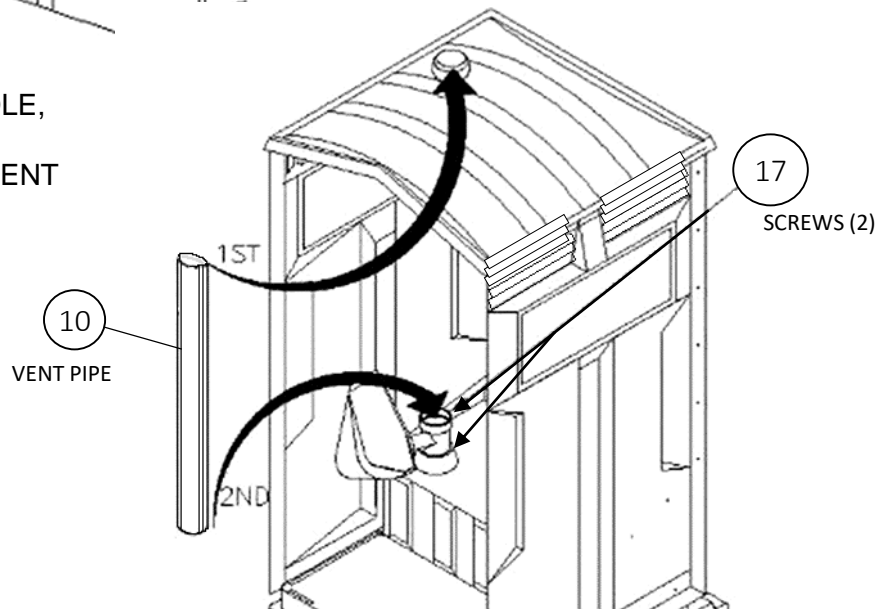
5. INSTALL URINAL

- INSERT URINAL VENT PIPE INTO TANK VENT.
- LEVEL TOP EDGE OF URINAL.
- TRANSFER DRILL THROUGH URINAL HOLES INTO PANEL, WHILE HOLDING URINAL LEVEL.
- INSTALL RIVETS AND WASHERS



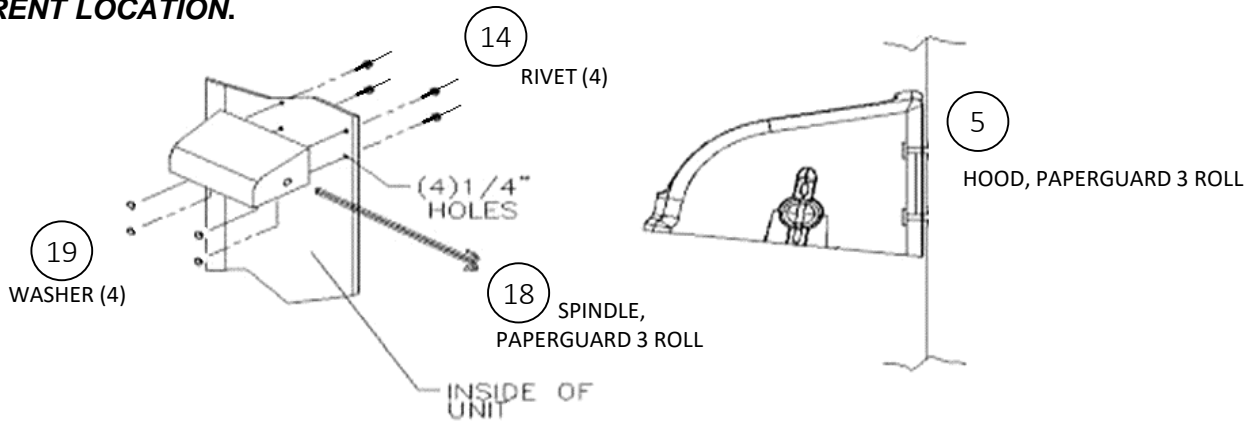
6. INSTALL VENT PIPE

- INSERT VENT PIPE INTO ROOF HOLE, TWISTING PIPE MAY HELP.
- INSERT VENT PIPE INTO URINAL VENT
- INSTALL SCREWS.



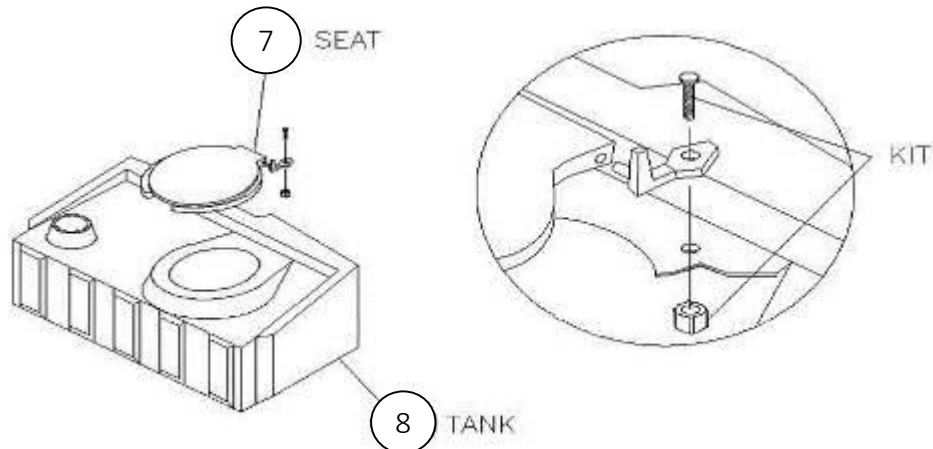
7. INSTALL PAPERGUARD

- DRILL (4) 1/4" HOLES AT DIMPLES ON RIGHT SIDE PANEL.
- INSTALL PAPERGUARD USING (4) RIVETS & (4) WASHERS. **NOTE: IF INSTALLING OTHER ACCESSORIES SUCH AS A SLIMMATE SINK, THE PAPERGUARD MUST BE PLACED IN A DIFFERENT LOCATION.**



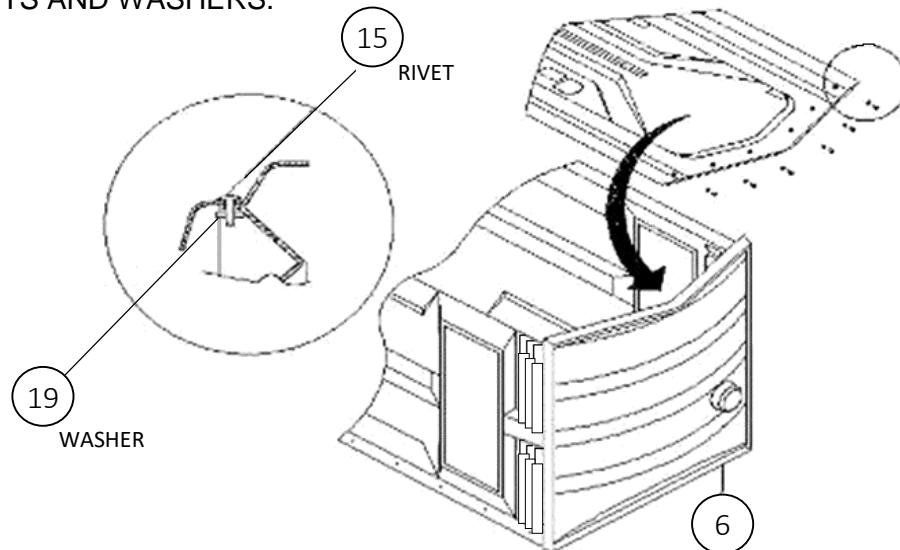
8. ATTACH TOILET SEAT

- USE A SCREWDRIVER. (TIGHTEN SEAT HINGE NUT SECURELY)



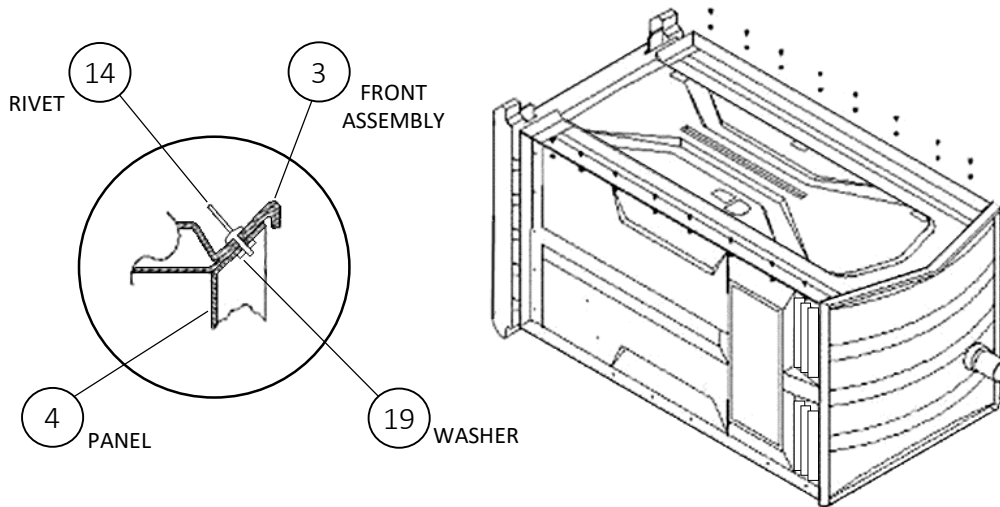
9. ATTACH FRONT ASSEMBLY TO ROOF (FOR THIS PROCESS LAY THE UNIT ON ITS BACK.)

- INSTALL RIVETS AND WASHERS.



10. ATTACH FRONT ASSEMBLY TO SIDE PANELS

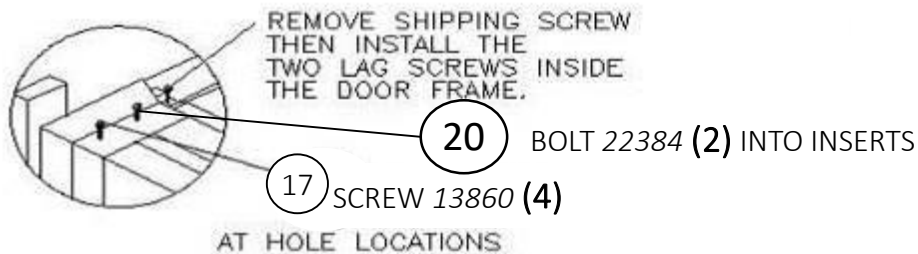
- INSTALL RIVETS AND WASHERS



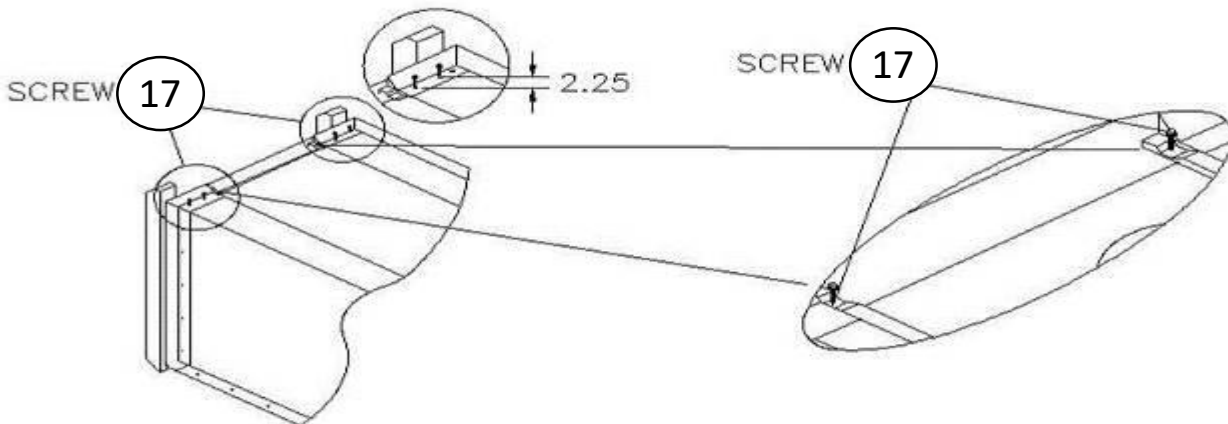
11. ATTACH FRONT ASSEMBLY TO BASE

A. BLOWMOLDED BASE: SCREW / BOLT FRONT ASSEMBLY TO BASE

TIGHTEN LAG SCREW UNTIL RUBBER WASHER BEGINS TO FLATTEN – **DO NOT OVER TIGHTEN.**

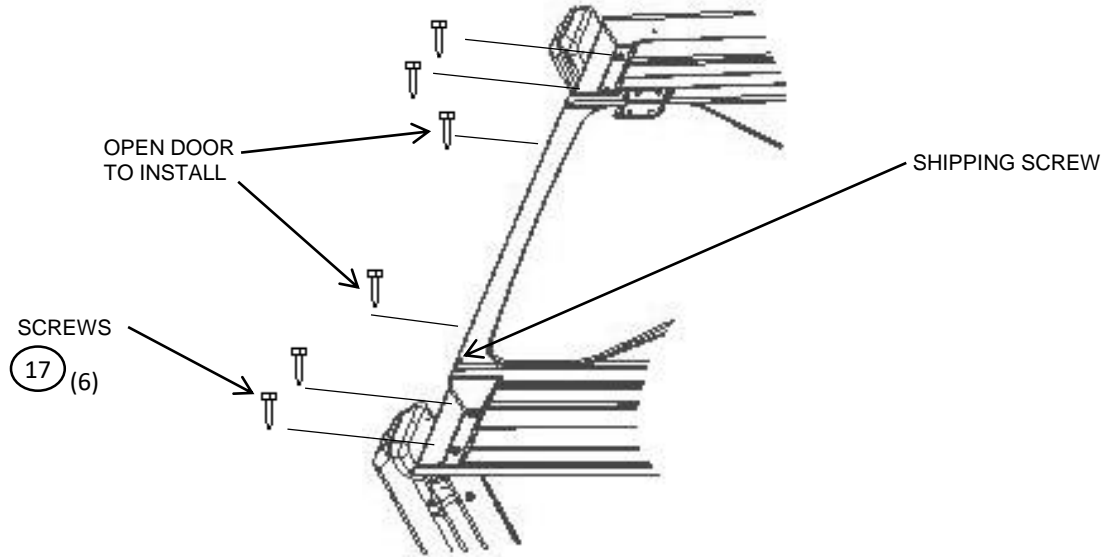


B. DIRT BUSTER BASE: INSTALL SCREWS 13860 USING A 3/8 NUT DRIVER BIT. DRIVE SCREWS IN HOLES CLOSEST TO DOOR. MEASURE 2-1/4 FROM THAT SCREW AND FASTEN SECOND SCREWS IN NEW LOCATION. **SEE DIAGRAM.** REMOVE SHIPPING SCREW. OPEN DOOR AND INSTALL THE (2) SCREWS THROUGH DIMPLES ON INSIDE OF FACING FRAME. TIGHTEN SCREW UNTIL RUBBER WASHER BEGINS TO FLATTEN - **DO NOT OVER TIGHTEN.**



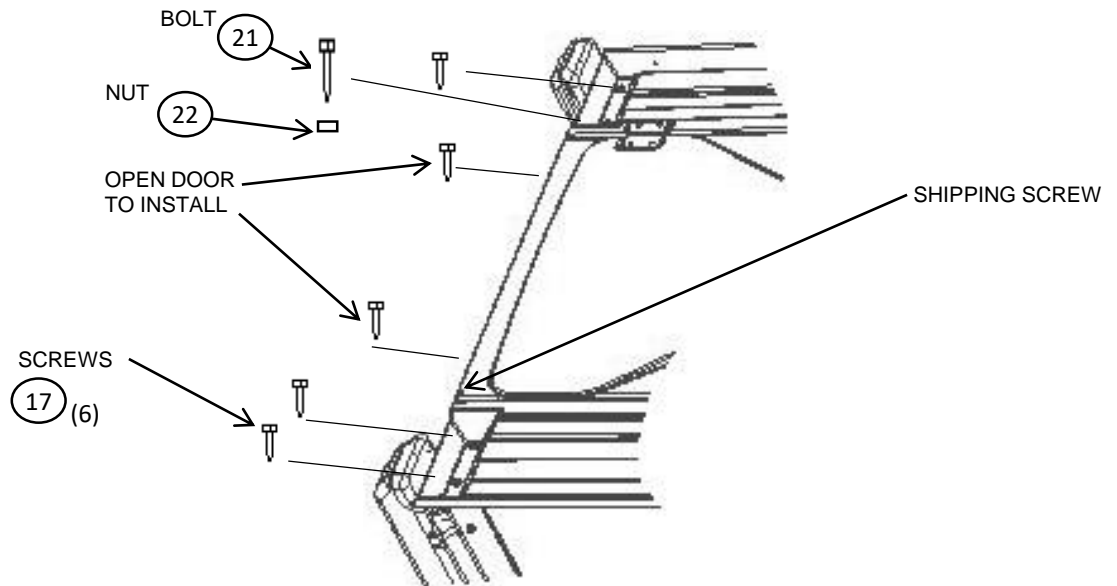
C & D. IMPACT BASES:

- INSTALL SCREWS 13860 (4) USING A 3/8 NUT DRIVER BIT.
- REMOVE SHIPPING SCREW.
- OPEN DOOR AND INSTALL THE (2) SCREWS THROUGH DIMPLES ON INSIDE OF FACING FRAME. TIGHTEN SCREW UNTIL RUBBER WASHER BEGINS TO FLATTEN - **DO NOT OVER TIGHEN .**



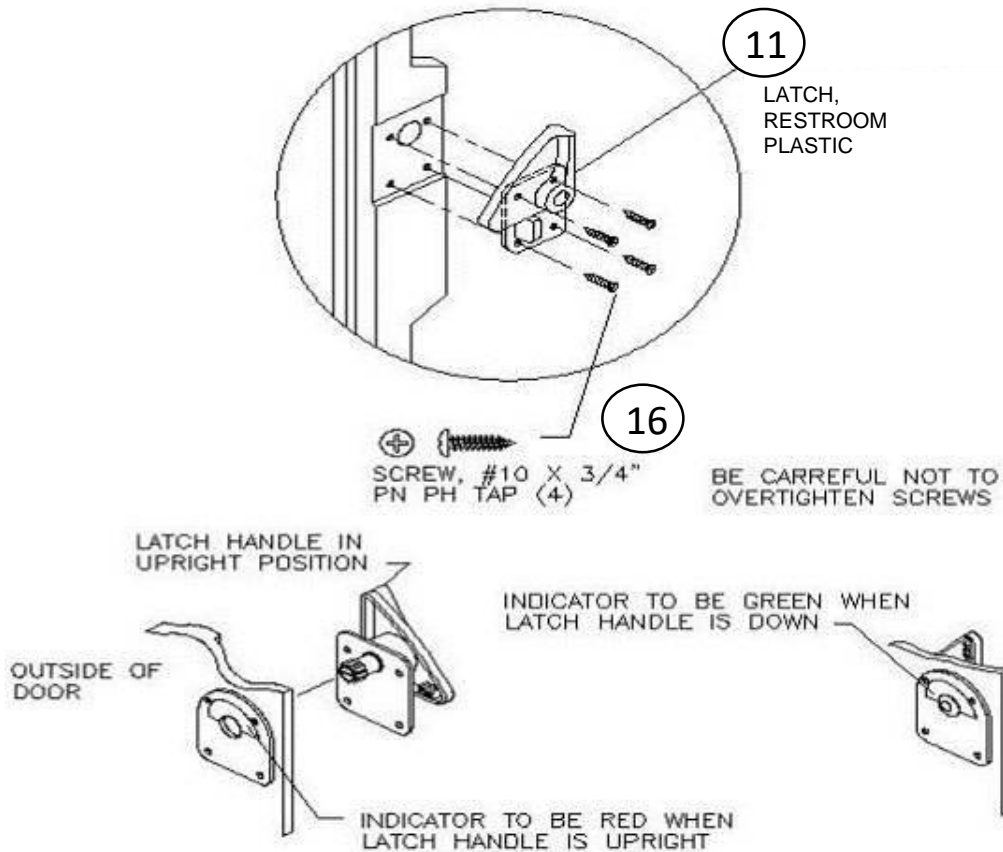
E. ROTO MOLDED BASE: (EUROPE ONLY)

- INSTALL SCREWS 13860 (3) USING A 3/8 NUT DRIVER BIT.
- DRILL HOLE FOR BOLT USING 13/32 [10mm]
- INSTALL BOLT 13173 AND NUT 18191.
- REMOVE SHIPPING SCREW.
- OPEN DOOR AND INSTALL THE (2) SCREWS THROUGH DIMPLES ON INSIDE OF FACING FRAME. TIGHTEN SCREW UNTIL RUBBER WASHER BEGINS TO FLATTEN - **DO NOT OVER TIGHEN .**



12. INSTALL DOOR LATCH

- USE PHILLIPS SCREWDRIVER TO INSTALL (4) #10 SCREWS THROUGH LATCH IN DOOR ASSY.



2530 Xenium Lane North, Minneapolis, MN 55441
Telephone: 763-553-1900 Fax: 763-553-1905
800-328-3332 / www.satelliteindustries.com