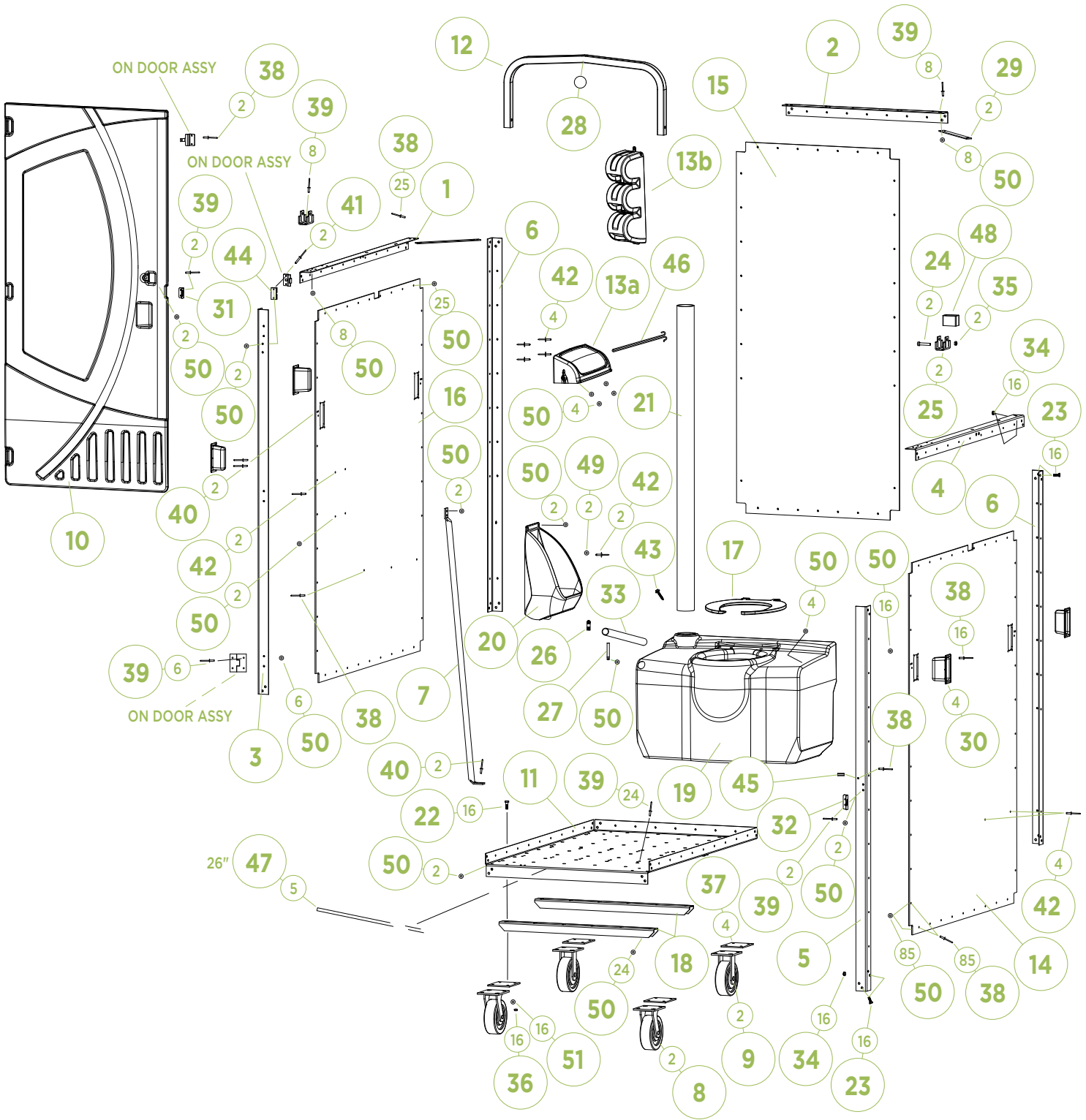


HIGHRISE | MAJOR ASSEMBLY



HIGHRISE | MAJOR ASSEMBLY PARTS

ITEM #	PART#	QPU	DESCRIPTION	COMMENT	PRICE
1	20798	1	ANGLE- 51-1/2 HOR HIGH RISE LH		
2	20799	1	ANGLE- 30 HORIZ HIGH RISE		
3	20800	1	ANGLE- 67 VERT HIGH RISE HINGE		
4	20849	1	ANGLE- 51-1/2 HOR HIGH RISE RH		
5	20850	1	ANGLE- 67 VERT HIGH RISE HASP		
6	20851	2	ANGLE- 67 VERT HIGH RISE REAR		
7	20808	1	BRACE- DOOR FRAME HIGH RISE		
8	20812	2	CASTER- 2 X 6 SWIVEL HIGH RISE		
9	20813	2	CASTER- 2 X 6 RIGID HIGH RISE		
10	20803	1	DOOR ASSY- HIGH RISE PBLU		
11	20797	1	FLOOR- HIGH RISE		
12	20806	1	FRAME- PROP HIGH RISE		
13A	22209	1	HOOD- PAPERGRD 3 ROLL DGRY		
13B	25573	1	DISPENSER- T/P VERT 3 ROLL BLK		
14	20801	1	PANEL- HIGH RISE SIDE RT PBLU		
15	20802	1	PANEL- HIGH RISE REAR PBLU		
16	20882	1	PANEL- HIGH RISE SIDE LT PBLU		
17	14959	1	SEAT- ELONG MX2/MX3/Trs/HT BLK		
18	20852	2	SUPPORT- HIGH RISE FLOOR		
19	20814	1	TANK- HIGH RISE 38 GAL DGRY		
20	11999	1	URINAL- SPLASHGUARD DGRY		
21	20816	1	VENT PIPE- 3 X 53- 1/2 BLACK		
22	21919	16	BOLT- 5/16-18 X 1 GR5 PLTD		
23	17385	32	BOLT- 1/4-20 X 3/4 GRD5 PLTD		
24	17915	2	BOLT- 3/8-16 X 2 GRD8 PLTD		
25	20807	2	BRACKET- PROP FRAME HIGH RISE		
26	12588	1	CLAMP- WORMDRIVE #12		
27	20817	1	CLAMP- INSULATED HIGH RISE		
28	20916	1	DECAL- HIGH RISE DO NOT LIFT		
29	20809	2	GUSSET- HIGH RISE CORNER		
30	20810	4	HANDLE- POCKET HIGH RISE		
31	13197	1	HASP- 3/16 RIVET HOLE DOOR		
32	13199	1	HASP- 3/16 RIVET HOLE FACING		
33	13417	21"	HOSE- 1IN ID BULK COIL		
34	16307	32	NUT- 1/4-20 NYLOC STNLS		
35	20805	2	NUT- 3/8-16 NYLOC THIN		
36	13131	16	NUT- 5/16 NYLOC		
37	20811	4	PLATE- CASTER MOUNT HIGH RISE		
38	11027	130	RIVET- #66 ALUM		
39	11270	50	RIVET- #68 STNLS		

HIGHRISE | MAJOR ASSEMBLY PARTS CONTINUED

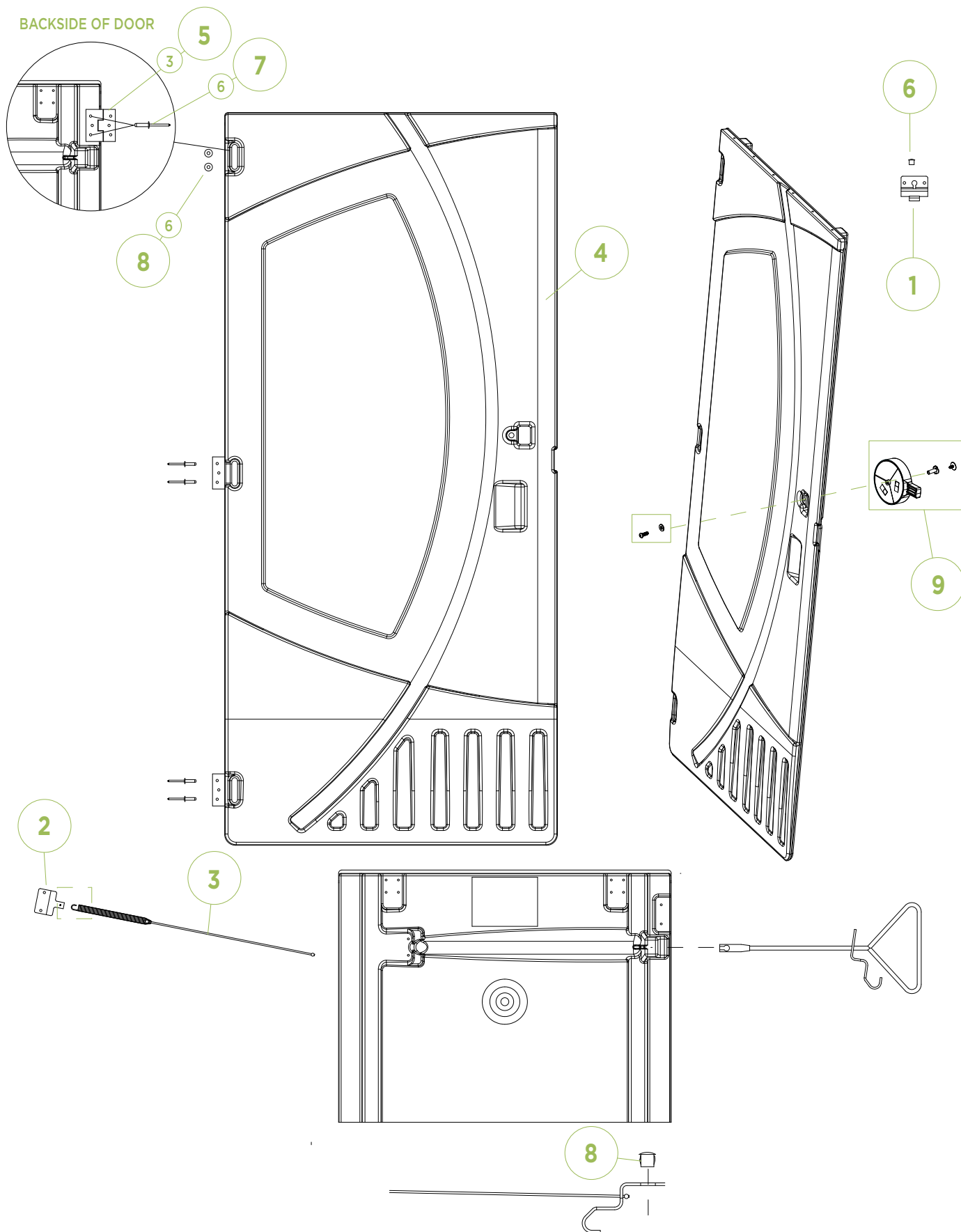
ITEM #	PART#	QPU	DESCRIPTION	COMMENT	PRICE
40	14351	4	RIVET- #610 CCP		
41	10812	2	RIVET- #612 ALUM		
42	11054	12	RIVET- #68 AAL POP		
43	13860	1	SCREW- #14 X 1- 1/2 W/WSH GOLD		
44	20804	1	SPACER- CABLE ANCHOR BRACKET		
45	20620	1	SPACER- TM II URINAL ALUM		
46	22310	1	SPINDLE- PRGRD II 3 ROLL METAL		
47	20919	130"	STRIP- 1IN ANTISLIP		
48	20815	1	TUBE- HIGH RISE PROP LOCK		
49	10068	2	WASHER- RUBBER 3/32 THK		
50	11315	195	WASHER- 3/16 RIVET STNLS		
51	11364	16	WASHER- 1/4 FLAT		
	20930	1	INSTRUCTION- HIGH RISE RESTROM	SEE WEBSITE	
	20848	1	HDWE- HIGH RISE		

HIGHRISE | FRONT ASSEMBLY PARTS

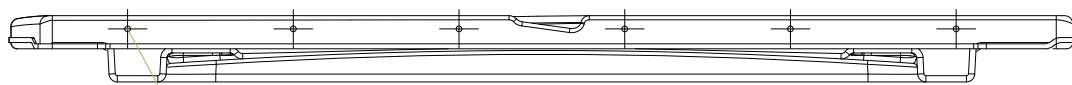
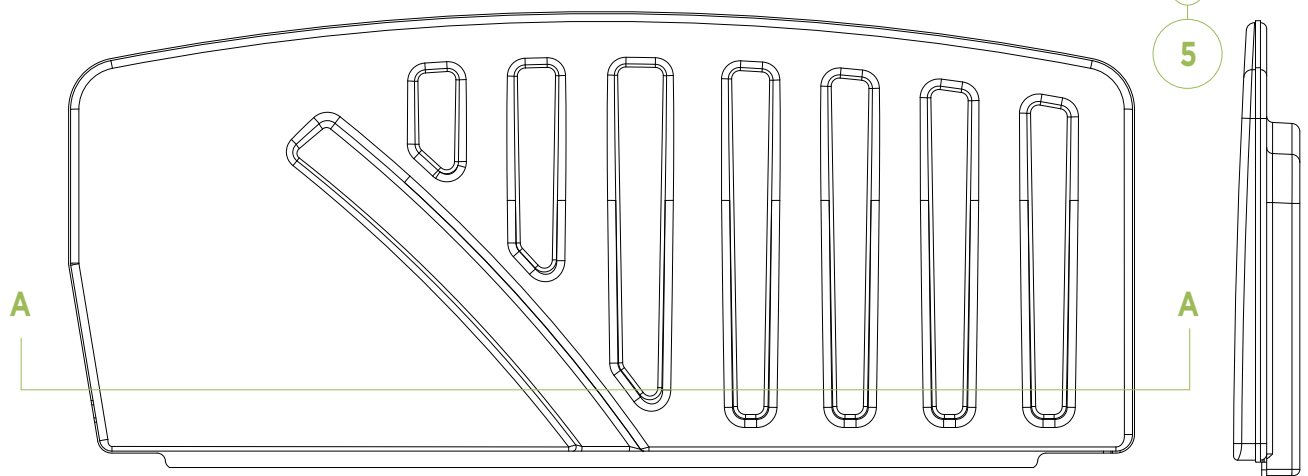
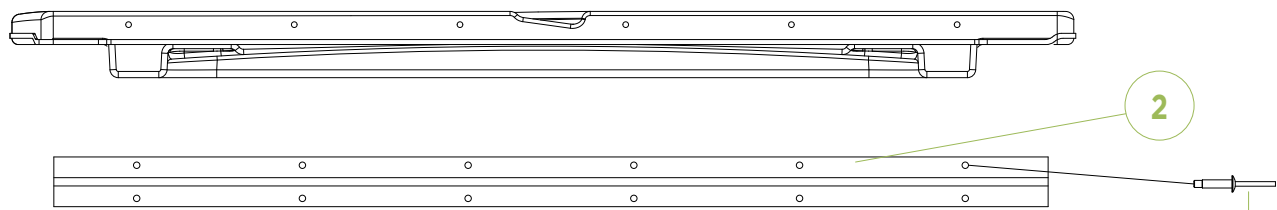
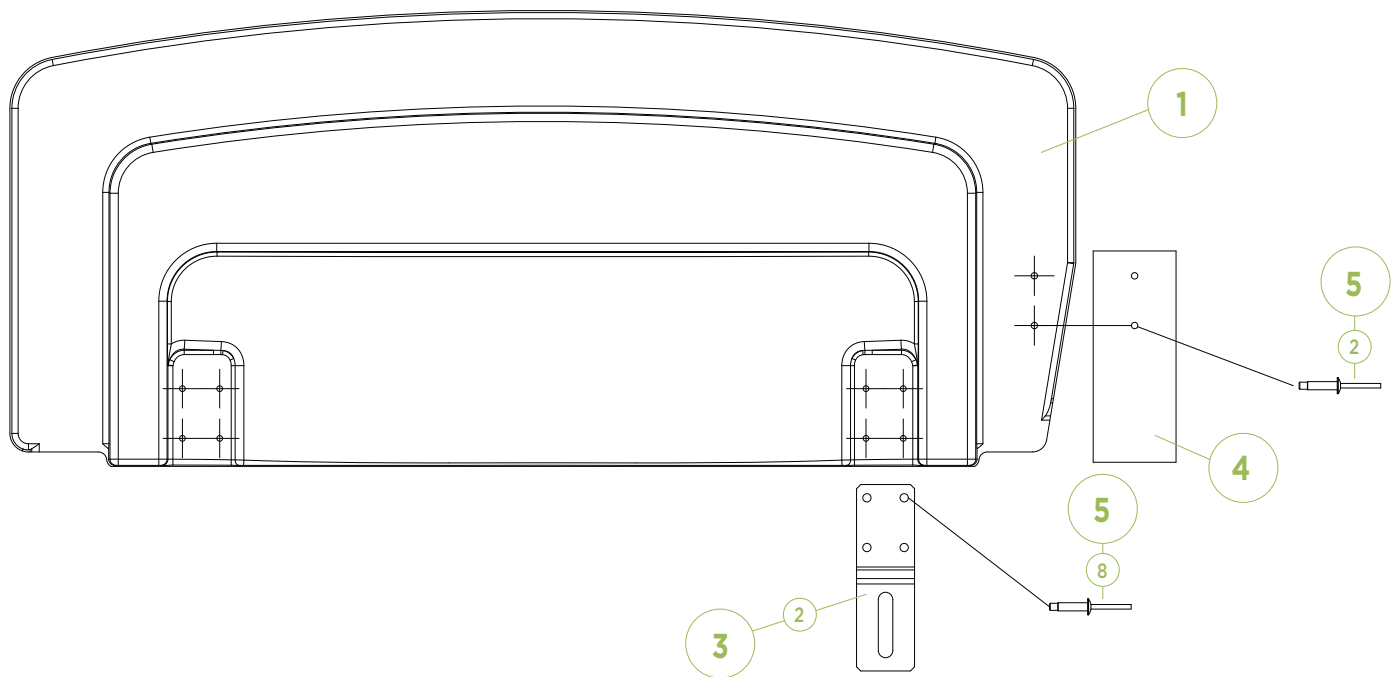
ITEM #	PART#	QPU	DESCRIPTION	COMMENT	PRICE
1	24229	1	BOLT- 1/4-20 X 3/4 SLOT PATCH		
2	10889	1	BRACKET- CABLE ANCHOR TUFWAY		
3	10511	1	BRACKET- SPRING ANCHOR TUFWAY		
4	10888	1	CLOSURE ASSY- TUFWAY DOOR		
5	23961	1	DOOR- HIGH RISE LOWER DGRY		
6	22574	1	LATCH- DOOR MX3/HIRISE ROTARY		
7	15708	3	HINGE- DOOR STNLS HEAVY NARROW		
8	14803	1	PLUG- 3/8 HOLE		
9	14762	1	RIVET- 3/16 RATCHETING		
10	11270	6	RIVET- #68 STNLS		
11	14764	1	T- NUT- 1/4- 20		
12	12382	1	WASHER- 1/4 FLAT STNLS		
13	11315	6	WASHER- 3/16 RIVET STNLS		

HIGHRISE | FRONT ASSEMBLY

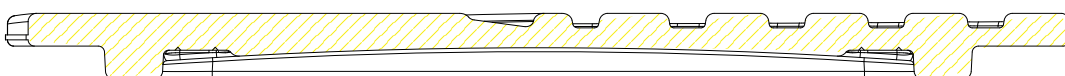
BACKSIDE OF DOOR



HIGHRISE | UPPER ASSEMBLY



n.19 [4,8]
DRILL POINT



HIGHRISE | UPPER ASSEMBLY PARTS

ITEM #	PART#	QPU	DESCRIPTION	COMMENT	PRICE
	24067	1	HIGH RISE ROOF/UPPER DOOR KIT		
	23964	1	DOOR ASSY- HIGH RISE UPPR DGRY		
	20820	1	HDWE- HIGH RISE ROOF/DOOR		
	20826	2	BRACKET- HIGH RISE ROOF		
	20887	1	HINGE- 26IN PIANO		
	20825	2	PLATE- HIGH RISE ROOF		
	20827	2	SWIVEL- HIGH RISE STAPLE		
	17436	16	RIVET- AVDEL SILVER		
	11027	28	RIVET- #66 ALUM		
	11315	28	WASHER- 3/16 RIVET STNLS		
	20819	1	ROOF- HIGH RISE		
1	23962	1	DOOR- HIGH RISE UPPER DGRY		
2	20821	1	HINGE- 30IN PIANO		
3	20824	2	PLATE- HIGH RISE DOOR UPPER		
4	20929	1	PLATE- PEEK SHIELD BLACK		
5	17436	16	RIVET- AVDEL SILVER		