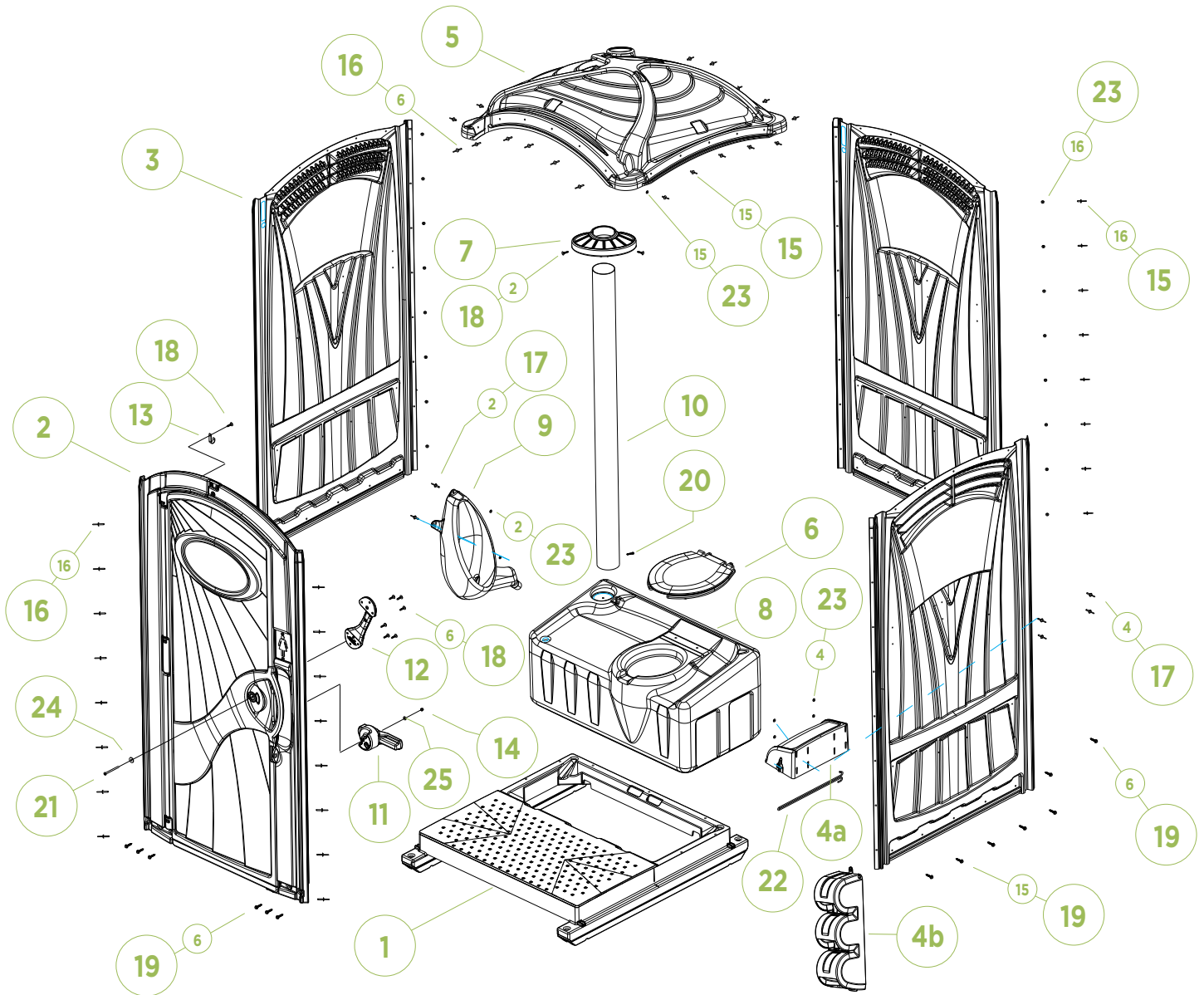


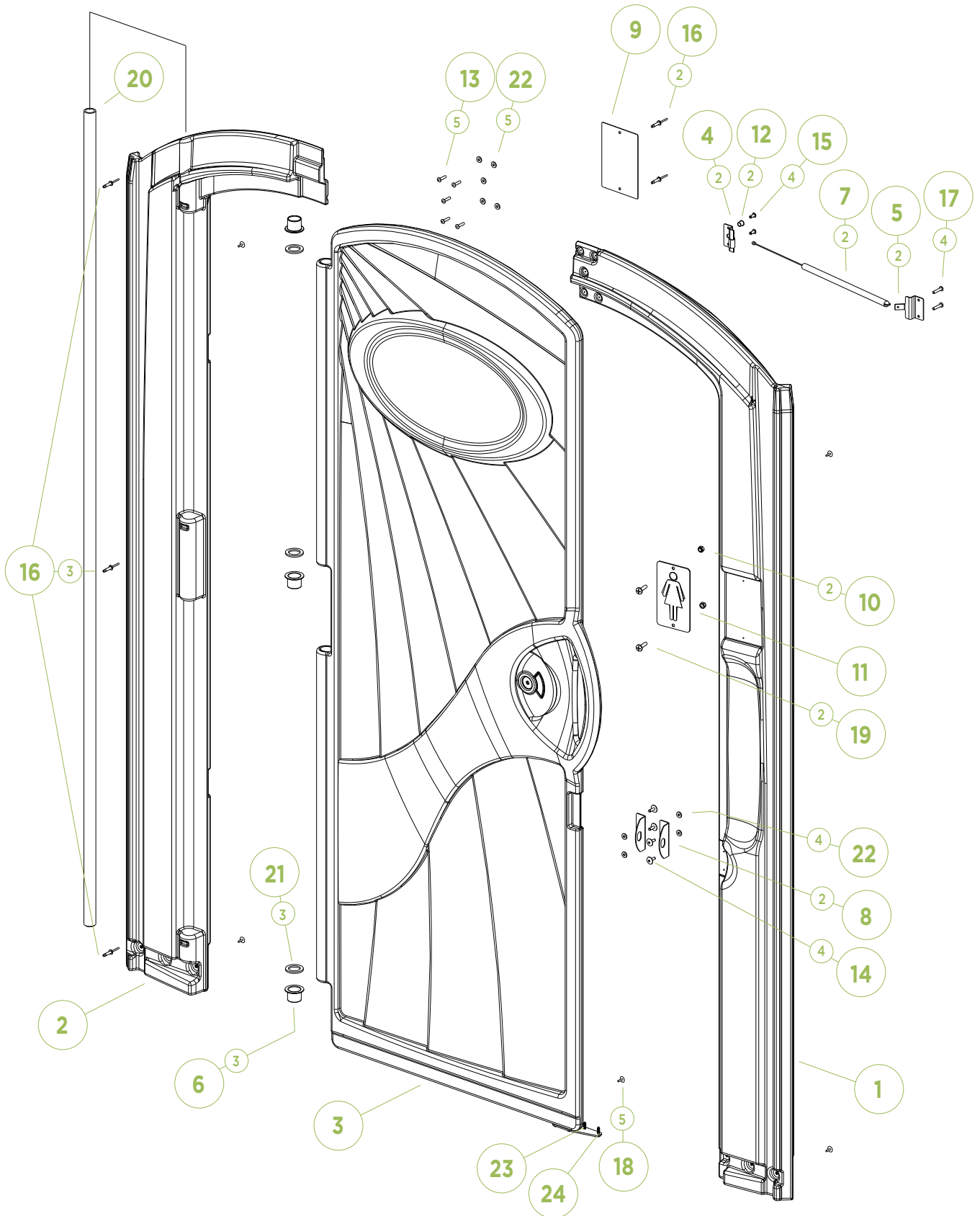
ASPEN II | MAJOR ASSEMBLY



ASPEN II | MAJOR ASSEMBLY PARTS

ITEM #	PART #	QPU	DESCRIPTION	COMMENT	PRICE
1	10034	1	BASE ASSY- IMPACT SOLID FLOOR		
1	10033	1	BASE ASSY- IMPACT GRID FLOOR		
2	SEE CHART	1	FRONT ASSY- ASPEN II		
3	SEE CHART	3	PANEL- ASPEN II		
4A	22209	1	HOOD- PAPERGRD 3 ROLL DGRY		
4B	25573	1	DISPENSER- T/P VERT 3 ROLL BLK		
5	23830	1	ROOF- ASPEN II NATURAL		
6	10570	1	SEAT- TOILET TUF/FRE/LIB BLACK	INCLUDES HARDWARE - 10 PER CASE	
7	23832	1	SHELF- FOR 4" VENT PIPE DGRY		
8	22918	1	TANK- AX 60 GAL BLOW DGRY		
9	23828	1	URINAL- ROCKET DGRY		
10	14133	1	VENT PIPE- 4 X 63 DGRY		
11	40057	1	HANDLE- GB TOILET GREY		
12	22522	1	HANDLE- PLASTIC LIFT DGRY		
13	10891	1	HOOK- FLAT COAT STNLS		
14	16307	1	NUT- 1/4-20 NYLOC STNLS		
15	11030	31	RIVET- #66 AAL POP		
16	14427	22	RIVET- #66 LSH W/LOCK MANDREL		
17	22543	6	RIVET- #610 AAL POP		
18	22604	9	RIVET- TRI LOBE X 5/8 LF		
19	13860	27	SCREW- #14 X 1- 1/2 W/WSH GOLD		
20	18098	1	SCREW- #10 X 2 PN PH TAP		
21	40052	1	SCREW- 1/4-20X3-1/2 PH PNHD SS		
22	22310	1	SPINDLE- PRGRD II 3 ROLL METAL		
23	11315	37	WASHER- 3/16 RIVET STNLS		
24	11360	1	WASHER- 1/4 ID FENDER STNLS		
25	12382	1	WASHER- 1/4 FLAT STNLS		
	10032	1	COVER- FLOOR IMPACT BASE	20 1/2 X 40-1/2 (8 #22727 & 8 #11360)	
	23829	1	HDWE- ASPEN II 3 ROLL		
	24048	1	INSTRUCTION- ASPEN II	SEE WEBSITE	

ASPEN II | FRONT ASSEMBLY



ASPEN II | FRONT ASSEMBLY PARTS

ITEM #	PART #	QPU	DESCRIPTION	COMMENT	PRICE
1		1	FACING- ASPEN II HASP	NONSALEABLE	
2		1	FACING- ASPEN II HINGE	NONSALEABLE	
3		1	DOOR- ASPEN II	NONSALEABLE	
	SEE CHART		FRONT ASSY- ASPEN II		
4	10889	2	BRACKET- CABLE ANCHOR TUFWAY	HINGE SIDE	
5	10511	2	BRACKET- SPRING ANCHOR TUFWAY	DOOR	
6	22196	3	BUSHING- MAXIM 3000 II DR TUBE		
7	14649	2	CLOSURE ASSY- DOOR MX2/TM II		
8	22590	2	HASP- HIGH TECH EXTENDED		
9	14474	1	MIRROR- 4 X 6 STNLS STEEL		
10	16307	2	NUT- 1/4-20 NYLOC STNLS		
11	17125	1	PLATE- GENDER INDICATOR PRNTD		
12	14803	2	PLUG- 3/8 HOLE		
13	11024	5	RIVET- #610 AAP		
14	11030	4	RIVET- #66 AAL POP		
15	12393	4	RIVET- #64 AAP POP		
16	17436	2	RIVET- AVDEL SILVER		
17	18755	4	RIVET- AVDEL SILVER LONG		
18	16804	5	RIVET- PINE TREE 1/4 X 9/16		
19	18718	2	SCREW- 1/4- 20 X 1 TRUSS HEAD		
20	23831	1	TUBE- ASPEN II DOOR HINGEX74.9		
21	17130	3	WASHER- 1IN ID NYLON		
22	11315	9	WASHER- 3/16 RIVET STNLS		
23	23888	1	STRAP- SHIPPING ASPEN		
24	10122	4	SCREW- #10 X 3/4 PHPN TAP PLTD		

ASPEN II | COMPLETE FRONT ASSEMBLY

PART #	DESCRIPTION	PRICE
23899	FRONT ASSY- ASPEN II ORNG	\$288.00
23900	FRONT ASSY- ASPEN II AQUA	\$288.00
23895	FRONT ASSY- ASPEN II SAND	\$290.00
23896	FRONT ASSY- ASPEN II DGRY	\$290.00
23897	FRONT ASSY- ASPEN II RBLU	\$290.00
23898	FRONT ASSY- ASPEN II FRST	\$290.00
23901	FRONT ASSY- ASPEN II DBLU	\$290.00
23902	FRONT ASSY- ASPEN II RED	\$295.00
23903	FRONT ASSY- ASPEN II LGRY	\$295.00
23905	FRONT ASSY- ASPEN II YELL	\$295.00
23906	FRONT ASSY- ASPEN II PRPL	\$298.00
23907	FRONT ASSY- ASPEN II MARN	\$298.00
23908	FRONT ASSY- ASPEN II LIME	\$298.00

ASPEN II | PANEL

PART #	DESCRIPTION	PRICE
23909	PANEL- ASPEN II SAND	
23910	PANEL- ASPEN II DGRY	
23911	PANEL- ASPEN II RBLU	
23912	PANEL- ASPEN II FRST	
23913	PANEL- ASPEN II ORNG	
23914	PANEL- ASPEN II AQUA	
23915	PANEL- ASPEN II DBLU	
23916	PANEL- ASPEN II RED	
23917	PANEL- ASPEN II LGRY	
23919	PANEL- ASPEN II YELL	
23920	PANEL- ASPEN II PRPL	
23921	PANEL- ASPEN II MARN	
23922	PANEL- ASPEN II LIME	