



TRUCKS

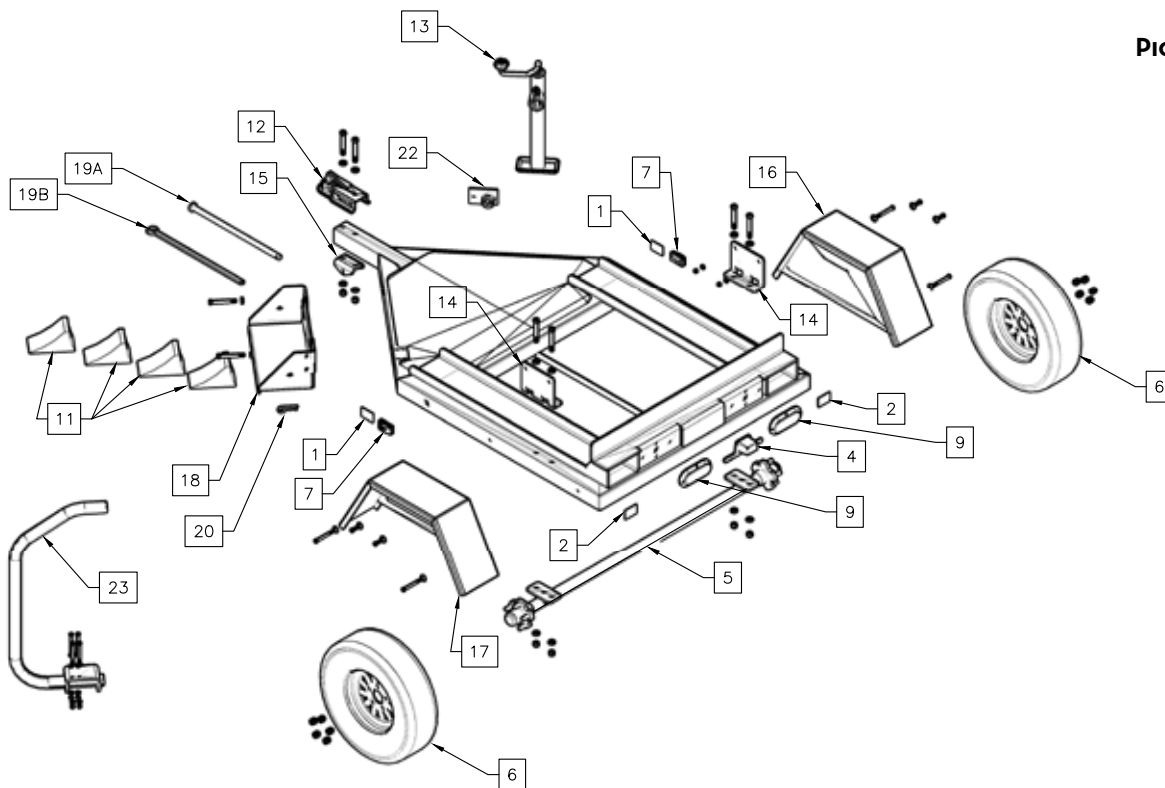


TABLE OF CONTENTS

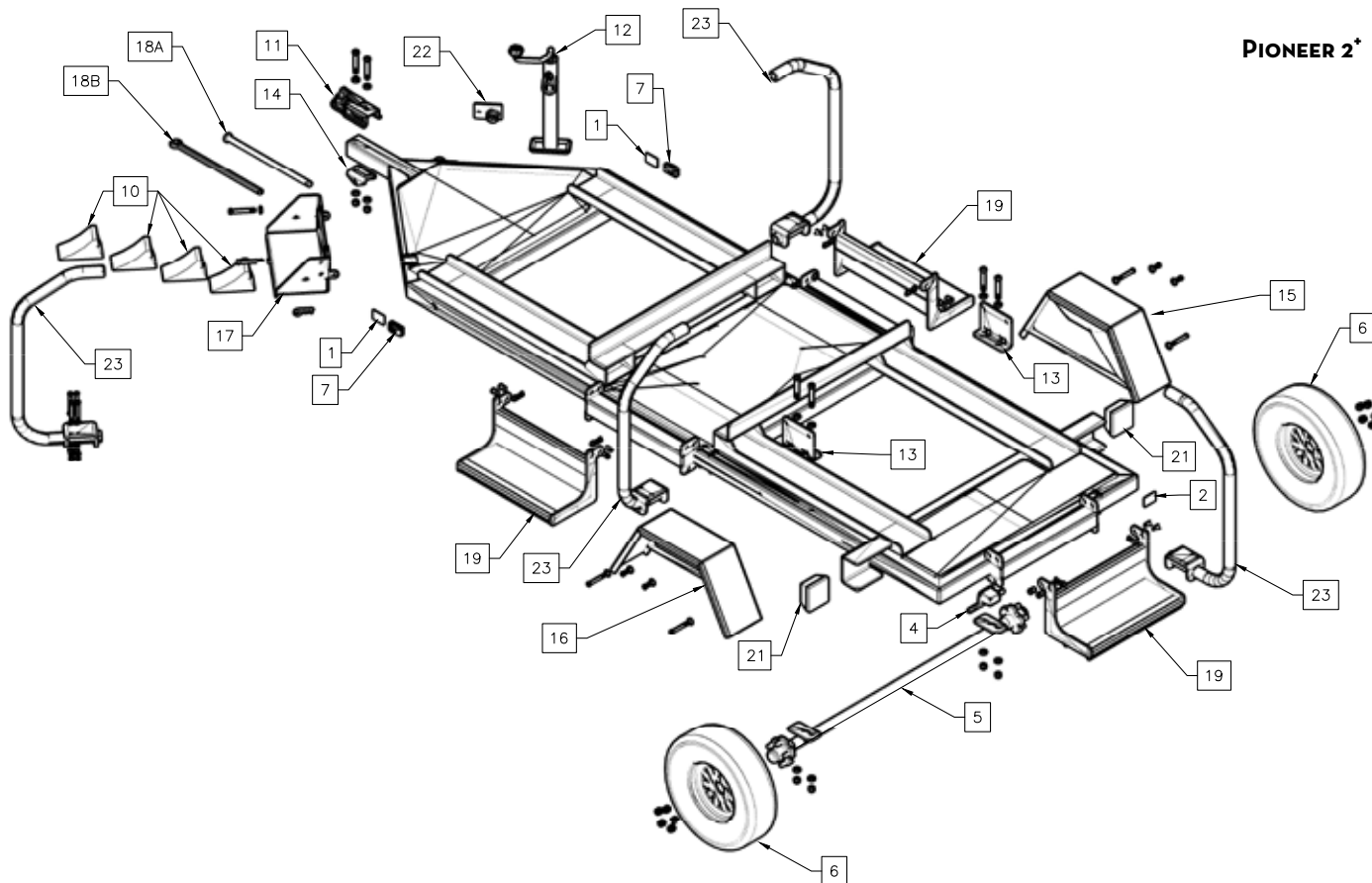
- 3** PIONEER 1 & 2+ TRAILERS
- 5** PIONEER 1 LITE TRAILER
- 6** UNIVERSAL BUMPER HAULER UNIT
- 7** MD & SS 950 MAJOR ASSEMBLY
- 8** MD & SS 950 HOSE TRAY (2010-PRESENT)
- 9** MD & SS 1250 & 1600 HOSE TRAY (2013-PRESENT)
- 10** VACUUM PUMP PTO SYSTEM
- 11** FLOJET PRESSURE WASH SYSTEM
- 13** HIGH PRESSURE WASH SYSTEM
- 15** ELECTRIC FRESHWATER DELIVERY SYSTEM
- 17** VACUUM AIR FLOW SYSTEM
- 19** CONDE VACUUM PUMP PTO SYSTEM
- 21** BOLT-IN MODULE MD 400 MAJOR ASSEMBLY
- 23** HOSE & HOSE ASSEMBLIES
- 25** COUPLERS & ADAPTERS
- 26** WAND ASSEMBLY
- 27** VALVES & MANWAYS
- 28** PUMPS, REPAIR KITS & VANES, BELTS, & IDLERS
- 28** CLUTCHES & RESERVOIRS

PIONEER 1 & 2+ TRAILERS

PIONEER 1



PIONEER 2+



PIONEER 1 & 2+ TRAILERS

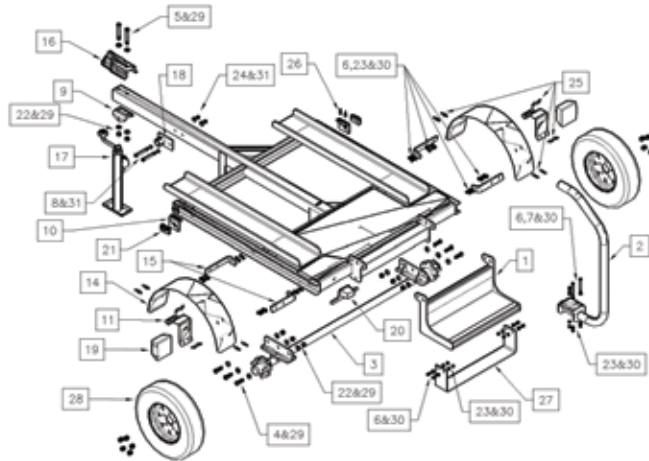
PIONEER 1 & PIONEER 2+ COMPLETED UNITS

ITEM #	PART #	QPU	DESCRIPTION	COMMENT	PRICE
	24445		TRAILER PIONEER 1 W/HANDRAIL		
	25002		TRAILER - PIONEER 1 LITE		
	24450		TRAILER PIONEER 2+ W/HANDRAILS		

PIONEER 1 & PIONEER 2+ PARTS

ITEM #	PART #	QPU	DESCRIPTION	COMMENT	PRICE
1	11010	2	REFLECTOR-1-3/4 X 2-3/4 AMBER		
2	11011	1	REFLECTOR-1-3/4 X 2-3/4 RED		
3	18755	12	RIVET- AVDEL SILVER LONG		
4	21574	1	LIGHT- LICENSE PLATE W/PIGTAIL		
5	23540	1	AXLE -SNGL TLR W/HUB & SPRING		
6	23541	2	TIRE- STEEL 13X4.5 5-4.5 1360#		
7	23543	2	LIGHT-CLEARANCE/MARK AMBER LED		
8	23544	1	HARNES-4-FLAT 4WIRE 25FT Mx F		
9	23546	2	CHAIN-SAFETY TRAILER TOW 34"		
10	23547	4	CHOCK - WHEEL TRAILER		
11	23548	1	HITCH - 2" COUPLER 3" CHANNEL		
12	23550	1	JACK- 5K 10" LIFT WELD ON		
13	23560	2	FENDER BRACE - FORMED		
14	23569	1	BRACKET - SAFETY CHAIN		
15	23582	1	FENDER ASM - UNIT TRAILER		
16	23588	1	FENDER ASM - UNIT TRAILER UNIV		
17	23589	1	STEP ASM - UNIT TRAILER		
18A	23593	1	CHOCK ROD ASM		
18B	24520	1	FLAT CHOCK ROD		
19	23686	3	ASM - SIDE STEP		
20	23785	1	KIT - HDWE TRAILER PIONEER 2+		
21	23788	2	LIGHT - BOX STYLE 5" LED TRAIL		
22	24435	1	JACK PIVOT - STEEL BOLT ON		
23	24442	4	ASM - UNIVERSAL HANDRAIL		

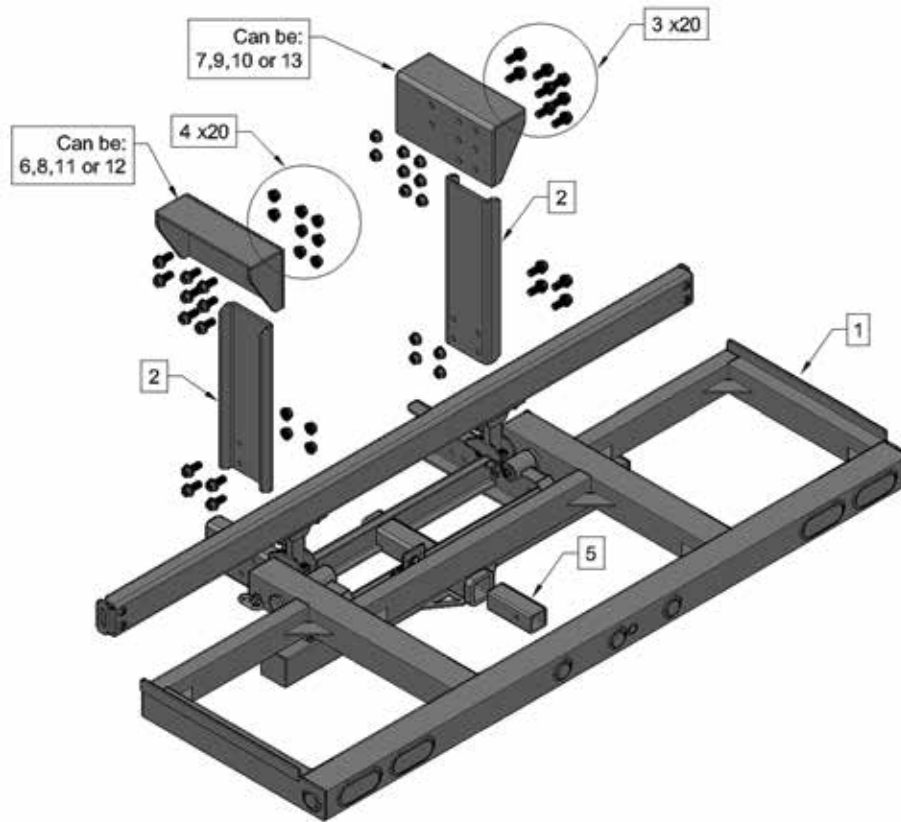
PIONEER 1 LITE



PIONEER 1 LITE | PARTS

ITEM #	PART #	QPU	DESCRIPTION	COMMENT	PRICE
1	23686	1	ASM - SIDE STEP		
2	24442	1	ASM - UNIVERSAL HANDRAIL		
3	23540	1	AXLE -SINGL TLR W/HUB & SPRING		
4	10106	6	BOLT - 1/2-13 X 2 GR8 PLTD		
5	23608	2	BOLT- 1/2-13 X 4.5 GR 8		
6	10089	13	BOLT- 1/4-20 X 1 GR8 PLTD		
7	23610	2	BOLT- 1/4-20 X 4 GR 8		
8	23611	2	BOLT- 3/8-16 X 4-1/2 GR 8		
9	23569	1	BRACKET - SAFETY CHAIN		
10	24996	2	BRACKET - SIDE MARKER P1 LITE		
11	24994	2	BRACKET - TAIL LIGHT P1 LITE		
12	24866	1	DECAL - PIONEER SPEED LIMIT		
13	23894	1	DECAL - SATELLITE TRAILER		
14	24990	2	FENDER - P1 LITE		
15	24992	4	FENDER MOUNT - P1 LITE		
16	23548	1	HITCH - 2" COUPLER 3" CHANNEL		
17	23550	1	JACK- 5K 10" LIFT WELD ON		
18	24435	1	JACK PIVOT - STEEL BOLT ON		
19	23788	2	LIGHT - BOX STYLE 5" LED TRAIL		
20	21574	1	LIGHT- LICENSE PLATE W/PIGTAIL		
21	23543	2	LIGHT-CLEARANCE/MARK AMBER LED		
22	18130	8	NUT- 1/2-13 Nc NYLOC		
23	13128	15	NUT- 1/4- 20 NYLOC		
24	12333	2	NUT- 3/8 Nc NYLOC		
25	24554	16	RIVET - 1/4" ALUM BLIND		
26	23741	16	RIVET: 688 TRI-BULB(TRI-CLAMP)		
27	24988	1	STEP STABILIZER - P1 LITE		
28	24950	2	TIRE ST145R12E 1250# PNTD WHT		
29	16427	16	WASHER- 1/2 FLAT		
30	11364	30	WASHER- 1/4 FLAT		
31	11367	4	WASHER- 3/8 FLAT		

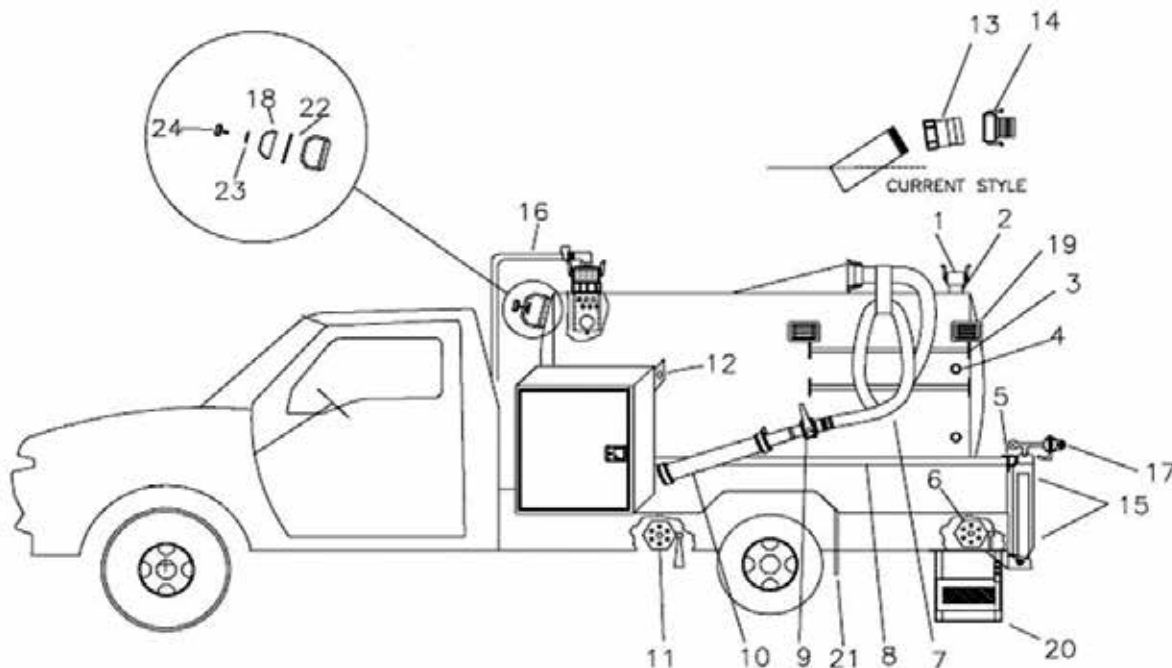
UNIVERSAL BUMPER HAULER UNIT & BRACKETS



UNIVERSAL BUMPER HAULER UNIT & BRACKETS | PARTS

ITEM #	PART #	QPU	DESCRIPTION	COMMENT	PRICE
	24702		BUMPER/UNIT HAULER-SATELLITE		
	25218		KIT- UNIT HAULER CHEVY		
	25219		KIT- UNIT HAULER FORD		
	25220		KIT- UNIT HAULER RAM		
	25221		KIT- UNIT HAULER LRGE CHASSIS		
	24633		LIGHT-2X6 LED OVAL BACK UP CLR		
	22009		LIGHT - 2X6 LED OVAL TAIL STOP		
	22008		LIGHT- 2IN LED RND RED MARKER		
	24744		CLEVIS-PIN 3/4X6-1/2 W/HAIRPIN		
	24892		LIGHT - 2 IN LICENSE PLATE		
5	22660		TUBE-ADAPT RECEIVE 2-1/2"TO2"		
2	25007		BRACKET - DROP DOWN LARGE UNIV		
3	11809		BOLT- 5/8 X 1- 3/4 GRD8 FLNGHD	EACH	
4	11810		NUT- 5/8 FLANGE GRD G	EACH	
6	24717		BRACKET - BUMPER CHEVY DS		
7	24718		BRACKET - BUMPER CHEVY PS		
8	24723		BRACKET - BUMPER FORD DS		
9	24724		BRACKET - BUMPER FORD PS		
10	24961		BRACKET - BUMPER RAM PS		
11	24960		BRACKET - BUMPER RAM DS		
12	25005		BRACKET - BUMPER LARGE DS		
13	25006		BRACKET - BUMPER LARGE PS		

MD & SS 950 | MAJOR ASSEMBLY



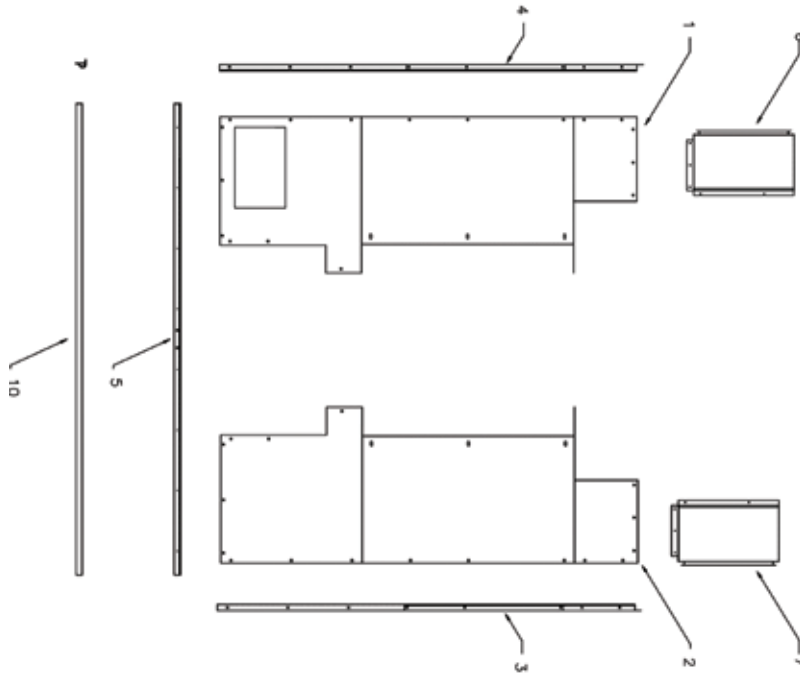
MD & SS 950 | MAJOR ASSEMBLY PARTS

ITEM #	PART #	QPU	DESCRIPTION	COMMENT	PRICE
1	16963	1	CAP- 3IN COUPLER VENTED		
2	10377	1	COUPLER- 3IN CAMLOCK TYPE F		
3	10026	2	PIPE- STANDOFF BAR ALUM		
4	11097	3	SIGHTGLASS- 2IN PLST + O RING		
	17950		SIGHTGLASS- METAL/GLAS 2IN MPT		
5	16051	1	DOCK EDGING- 8FT		
	17978	1	DOCK EDGING- WITHOUT LIP 8FT		
6	11342	1	VALVE- 2IN FULL PORT 6 BOLT		
7		1	VACUUM HOSE	*SEE PAGE 142 FOR HOSES & PRICING	
9	13219	1	WAND ASSY- PVC		
10	10861	1	PIPE- 4IN PVC40 32IN LONG		
11	12502	1	VALVE- 3IN PLASTIC BALL		
11	16731	1	VALVE- 4IN PLASTIC BALL		
12	19433	1	GAUGE-VACUUM PRESS 2-1/2 SPTC		
13	10350	1	COUPLER- 2IN CAMLOCK TYPE A		
14	10359	1	COUPLER- 2IN CAMLOCK TYPE C		
15	22692	1	BUMPER/UNIT-HAULER 2-1/2 REC V		
16	16718	1	HOSE- 1- 1/4 ID WIRE REINFORCE	430"	
	17868	1	HOSE- 1- 1/2 ID WIRE REINFORCE	430"	
	10039	1	BALL- 1- 3/4 PADDLE		
17	17100	2	KIT- UNIT HAULER STRAP/HOOK		
18	18476	1	LENS- SIGHTGLASS 5IN ONLY		
19	21942	2	LIGHT - LED WORK		
20	16176		WET BASKET- 18IN H		

MD & SS 950 | MAJOR ASSEMBLY PARTS CONTINUED

ITEM #	PART #	QPU	DESCRIPTION	COMMENT	PRICE
21	19499	1	SUPPORT- MD950 MUDEFLAP		
	13221	2	MUDEFLAP- MD950 SATELLITE		
22	10533	1	GASKET- 4IN QUICK COUPLER		
23	21121	1	PRESSURE PLATE- 5IN SIGHTGLASS		
24	21122	1	KNOB SCREW- 5IN SIGHTGLASS		
	18092	1	BOOM- W/LATCH PKG		

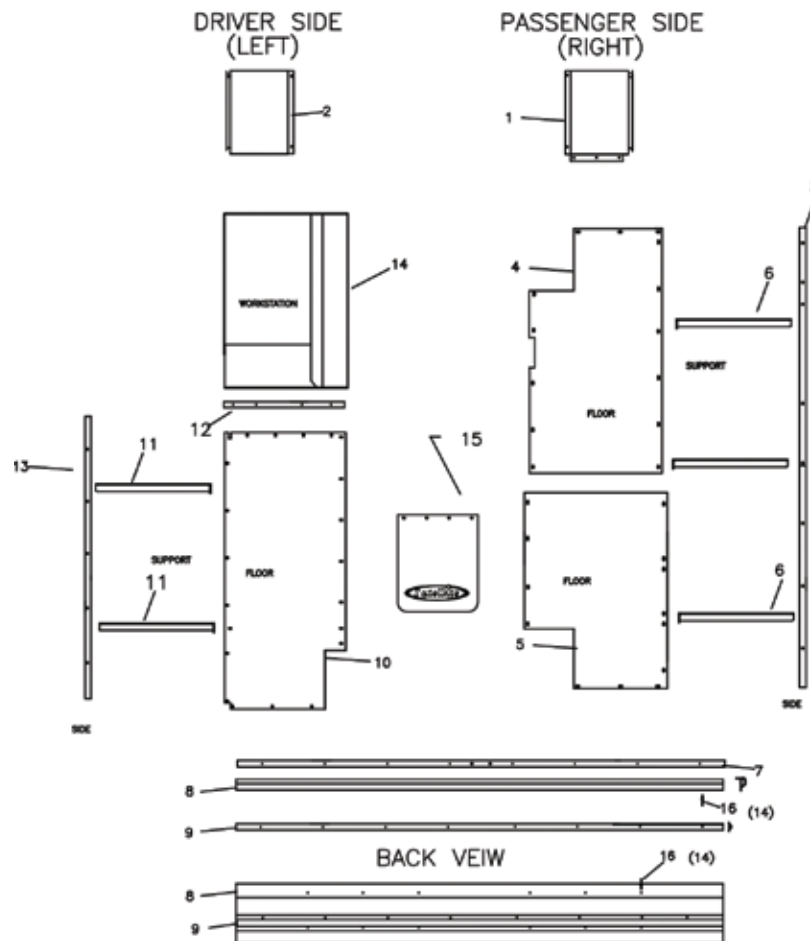
MD & SS 950 | HOSE TRAY (2010 - PRESENT)



MD & SS 950 | HOSE TRAY PARTS (2010 - PRESENT)

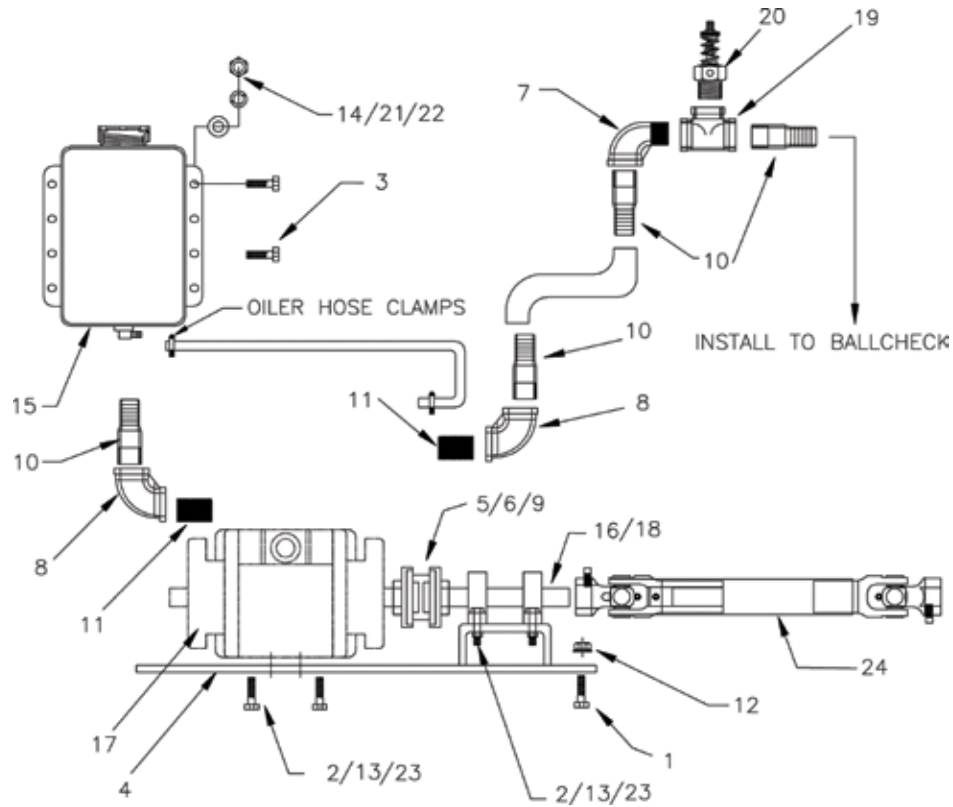
ITEM #	PART #	QPU	DESCRIPTION	COMMENT	PRICE
1	22063		PANEL 2- CTWK FLR LEFT 950 SS		
2	22062		PANEL 2- CTWK FLR RIGHT 950 SS		
3	21152		PANEL 2- CTWK RT SD 950 STNLS		
4	21153		PANEL 2- CTWK LF SD 950 STNLS		
5	21154		PANEL 2- CTWK REAR 950 STNLS		
6	21951		CABINET- 30 X 24 LEFT SS HOR		
7	21952		CABINET- 30 X 24 RIGHT SS HOR		
	11027		RIVET- #66 ALUM		
	16051		DOCK EDGING- 8FT		
	11030		RIVET- #66 AAL POP		
	17909		LATCH- CABINET 24X30 MD SERIES		
	22125		SEAL -SATELLITE CABINET MD ALL		
10	16051		DOCK EDGING- 8FT		
	11030		RIVET- #66 AAL POP		

MD & SS 1250 & 1600 | HOSE TRAY & PARTS (2013-PRESENT)



ITEM #	PART #	QPU	DESCRIPTION	COMMENT	PRICE
1	21357		CABINET- 1600 24 X 30 RT STNLS		
2	21356		CABINET- 1600 24 X 30 LT STNLS		
3	21182		PANEL 2- CTWK RT SD 1600 STNLS		
4	21360		PANEL 3- 1600 CT FLR FRT RT SS		
5	21359		PANEL 3- 1600 CT FLR RR RT SS		
6	21424		BRACKET- 1600 CTWK RT SUPPORT		
7	21178		PANEL 2- CTWK RR 1250/1600 SS		
8	17978		DOCK EDGING- WITHOUT LIP 8FT		
9	16051		DOCK EDGING- 8FT		
10	21358		PANEL 3- 1600 CTWK FLR LF SS		
11	21352		BRACKET- 1600 CTWK LT SUPPORT		
12	21362		PANEL 3- 1600 CTWK END SS		
13	21361		PANEL 3- 1600 CTWK LT SIDE SS		
14	21414		WORKSTATION - LOWERED 1600 AL		
15	19406		MUDFLAP- 1250/1600 SATELLITE		
16	11030		RIVET- #66 AAL POP		
	17909		LATCH- CABINET 24X30 MD SERIES		
3	21176		PANEL 2- CTWK RT SD 1250 STNLS		
13	21177		PANEL 2- CTWK LT SD 1250 STNLS		

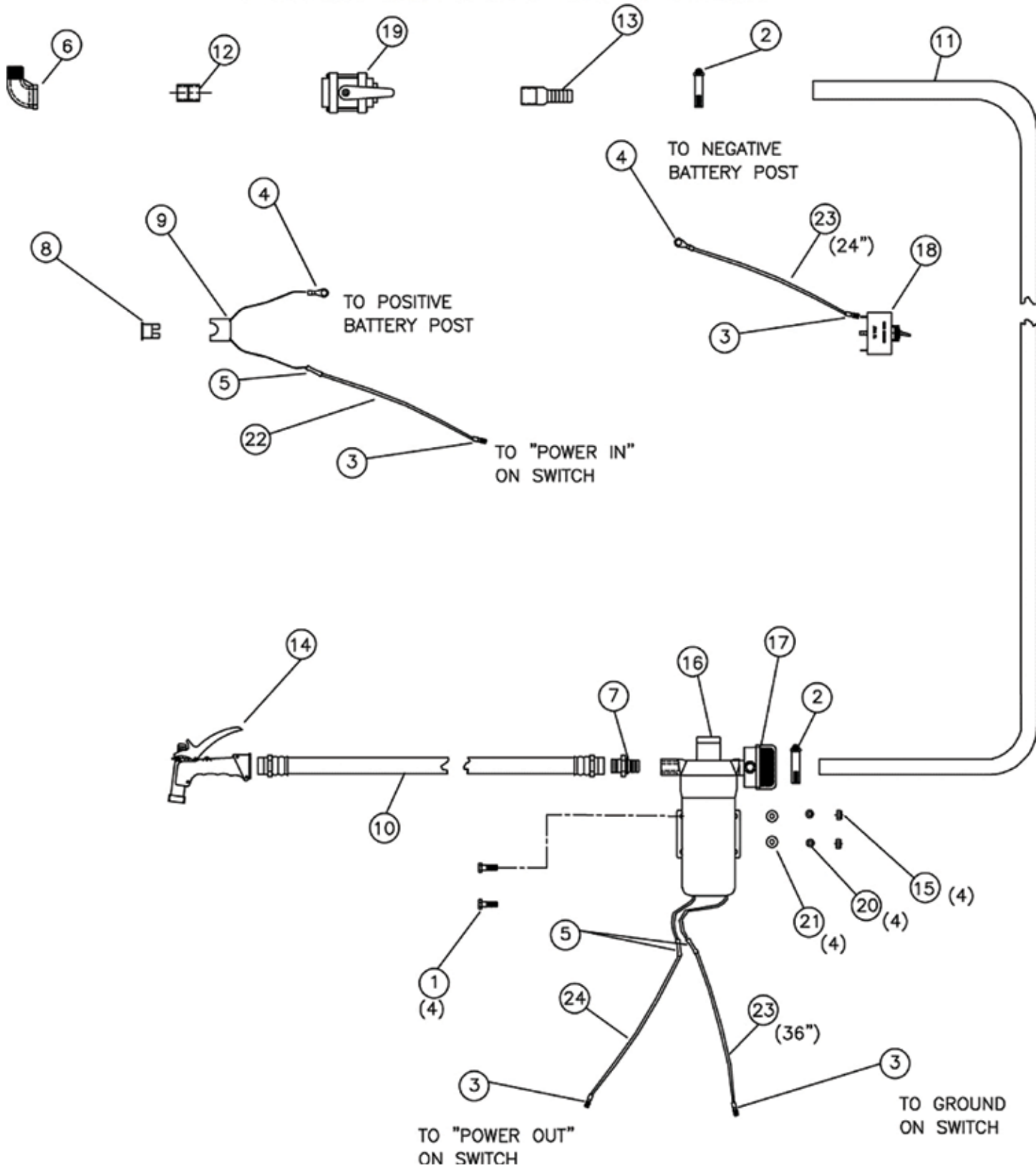
VACUUM PUMP PTO SYSTEM & PARTS



ITEM #	PART #	QPU	DESCRIPTION	COMMENT	PRICE
1	10079	11	BOLT- 1/2-13 X 1-1/2 GR8 PLTD		
2	16756	4	BOLT- 7/16-14 X 2 GRD8 PLTD		
3	10084	4	BOLT- 3/8-16 X 1-1/2 GR8 PLTD		
5	22164	1	COUPLER - REXNORD E5 X 1"		
6	15878	1	COUPLER- WOODS SIZE 8 X 1- 1/8		
8	17929	1	ELBOW- 90 1- 1/2 FPT GALV		
9	15880	1	ELEMENT- WOODS COUPLER SIZE 8		
10	17558	2	NIPPLE- 1- 1/2 KING PLTD		
11	18129	2	NIPPLE- 1- 1/2 X 4 GALV		
12	12331	11	NUT- 1/2 Nc LOCK SHOULDER		
13	16757	4	NUT- 7/16- 14 Nc PLTD		
14	10768	4	NUT- 3/8 PLATED		
15		1	CALL FOR DETAILS		
	21903	1	PLUG-OILER BREATHER SDS REMOTE		
16	14823	2	PILLOW BLOCK- 1IN DIA		
17		1	CALL FOR DETAILS		
18	18131	1	SHAFT- 1 OD X 1/4 X 10		
19	17559	1	TEE- 1- 1/2 FPT GALV		
20	15397	1	VALVE- VACUUM RELIEF 1- 1/2		
21*	11367	4	WASHER- 3/8 FLAT		
22*	11378	4	WASHER- 3/8 LOCK		
	22129		PUMP- CHALLENGER NVE 304 CW		

FLOJET PRESSURE WASH SYSTEM

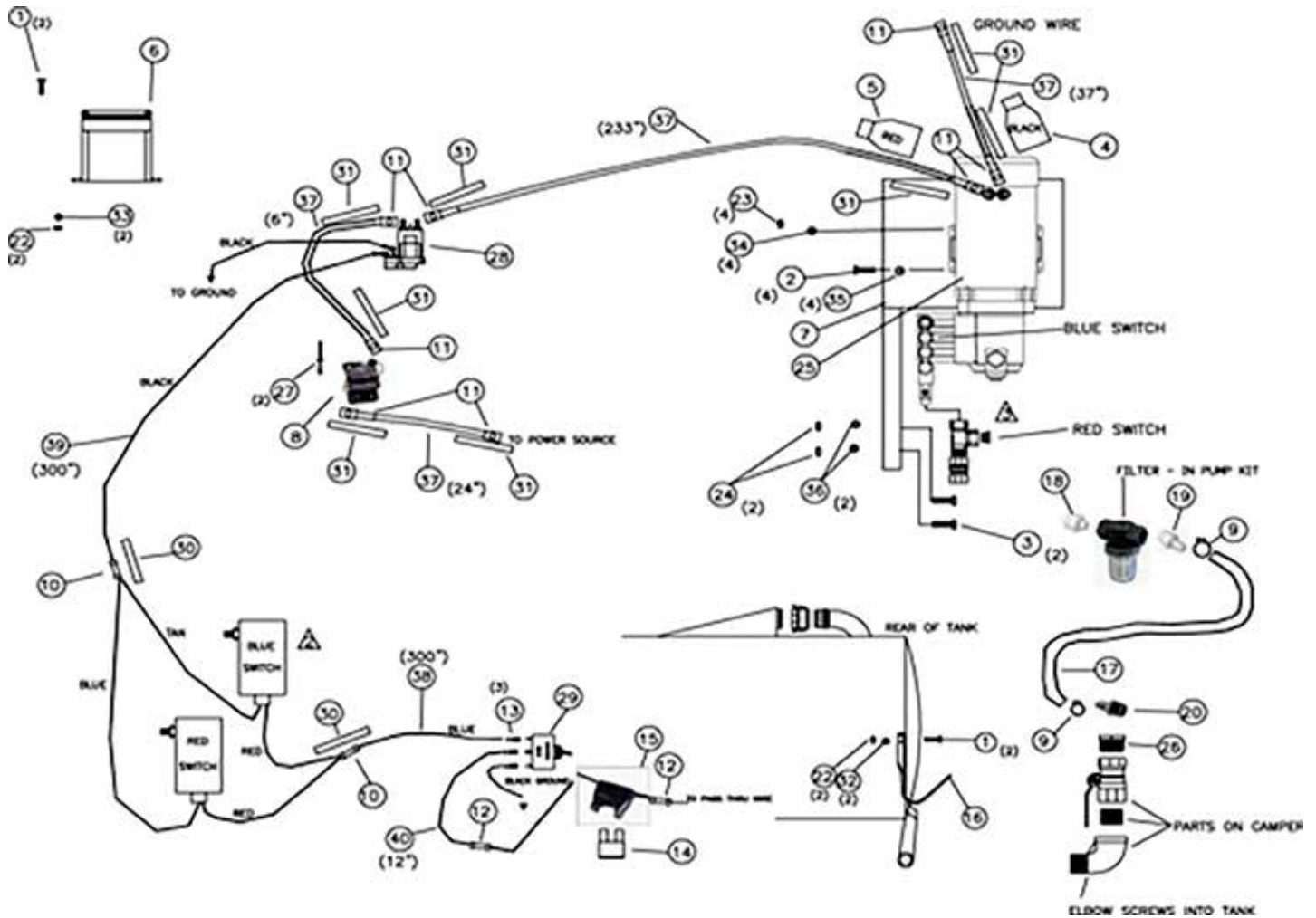
PRESSURE WASH FLOJET BOLT IN MODULE



FLOJET PRESSURE WASH SYSTEM | PARTS

ITEM #	PART #	QPU	DESCRIPTION	COMMENT	PRICE
1	10090	4	BOLT- 1/4-20 X 1-1/2 GR8 PLTD		
2	10281	2	CLAMP- WORMDRIVE #20		
3	10334	2	CONNECTOR-14-16GA FML SPADE BL		
4	18315	2	CONNECTOR- W/RING 1/4 14- 16GA		
5	10329	3	CONNECTOR- 14- 16GA BUTT WIRE		
6	10456	1	ELBOW- 90 3/4 STREET GALV		
7	14227	1	FITTING- FLOJET TO 3/4 HOSE		
8	11150	1	FUSE- 20 AMP BAYONETTE		
9	12258	1	FUSE HOLDER- 2- 4" PIGTAILS		
10	22077	1	HOSE- 35' MED PRESSURE WASH		
11	10604	1	HOSE- 3/4 ID RED DBL BRAID	96"	
12	11450	1	NIPPLE- 3/4 CLOSE STL		
13	12324	1	NIPPLE- 3/4 KING STL PLTD		
14	12154	1	NOZZLE-GARDEN HOSE PISTOL TYPE		
15	10765	4	NUT- 1/4 NC		
16	18065	1	PRESSURE WASH- MD950 FLOJET		
17	19080	1	STRAINER- INLET FLOJET		
18	16813	1	SWITCH- 15 AMP LIGHTED TOGGLE		
19	12094	1	VALVE- 3/4 PLASTIC BALL		
20	11376	4	WASHER- 1/4 LOCK		
21	11364	4	WASHER- 1/4 FLAT		
22	11401	1	WIRE- AWG14 RED	12"	
23	11397	1	WIRE- AWG14 BLK	60"	
24	11398	1	WIRE- AWG14 BLUE	36"	

HIGH PRESSURE WASH SYSTEM



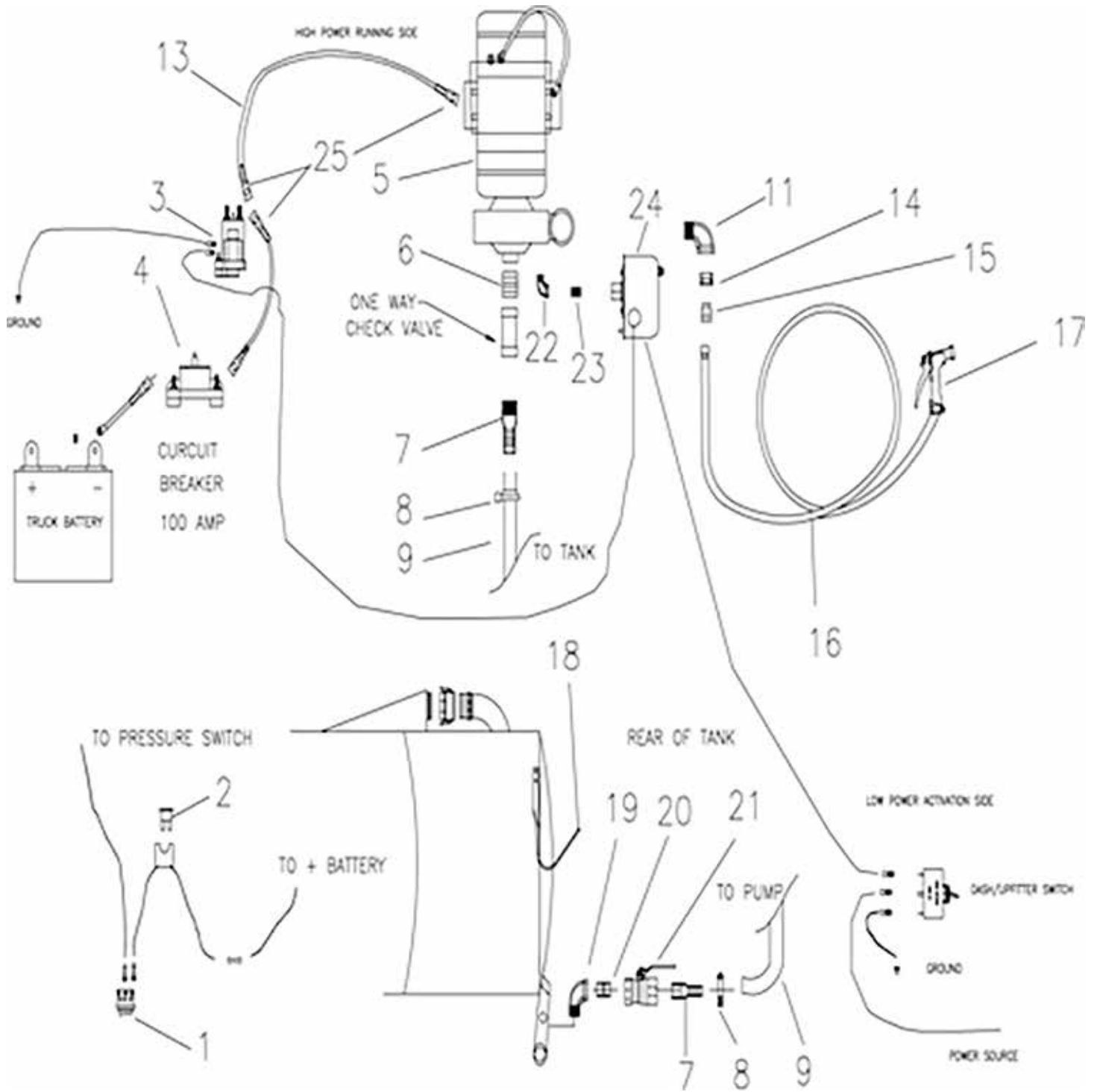
HIGH PRESSURE WASH SYSTEM | PARTS

ITEM #	PART #	QPU	DESCRIPTION	COMMENT	PRICE
2	10099	4	BOLT- 5/16-18 X 1 GR8 PLTD		
3	17915	2	BOLT- 3/8-16 X 2 GRD8 PLTD		
4	15797	1	BOOT- BATTERY BLACK		
5	15798	1	BOOT- BATTERY RED		
6	20599	1	BOX- ELECTRICAL 4 X 4 PLASTIC		
7	16697	1	BRACKET- PUMP BURKS DC-10		
8	22215	1	CIRCUIT BREAKER- 150 AMP		
9	10280	2	CLAMP- WORMDRIVE #6 STNLS		
10	19179	2	CONNECTOR- 12- 10GA BUTT WIRE		
11	16711	8	CONNECTOR- RING #4 X 3/8 HOLE		
12	10329	2	CONNECTOR- 14- 16GA BUTT WIRE		
13	10334	3	CONNECTOR-14-16GA FML SPADE BL		

HIGH PRESSURE WASH SYSTEM | PARTS (CONTINUED)

ITEM #	PART #	QPU	DESCRIPTION	COMMENT	PRICE
14	11150	1	FUSE- 20 AMP BAYONETTE		
15	12258	1	FUSE HOLDER- 2- 4" PIGTAILS		
16	16752	1	HOOK- MED PRESS WASH HOSE PLTD		
17	15514	1	HOSE - 1/2 DOUBLE BRAID RED	48"	
18	21103	1	NIPPLE- 1/2 MPT X 3/4 GHT NYL		
19	21104	1	NIPPLE- 1/2 INS X 1/2 MPT NYL		
20	21105	1	NIPPLE- 1/2 INS X 3/4 MPT POLY		
21	10696	1	LOOM- 1/4" SPLIT WIRE	300"	
22	10765	4	NUT- 1/4 NC		
23	10769	4	NUT- 5/16 NC		
24	10768	2	NUT- 3/8 PLATED		
25	22026	1	PUMP- 4DX27 CAT PRESS WASH		
26	20754	1	REDUCER-1-1/4MPT X3/4FPT GALV		
27	17030	2	RIVET- AVDEL BLACK		
28	18752	1	SOLENOID- BURKS PUMP 12 VOLT		
29	16813	1	SWITCH- 15 AMP LIGHTED TOGGLE		
30	19157	2	TUBE- 1/4 HEAT SHRINK		
31	17646	8	TUBE- 1/2 X 6 IN HEAT SHRINK		
	21506	1	SWITCH- CAT PUMP HIGH PRESSURE		
	21505	1	SWITCH- CAT PUMP LOW PRESSURE		
32	11364	2	WASHER- 1/4 FLAT		
33	11376	2	WASHER- 1/4 LOCK		
34	11379	4	WASHER- 5/16 LOCK		
35	11368	4	WASHER- 5/16 FLAT STNLS		
36	11378	2	WASHER- 3/8 LOCK		
37	22404	1	HARNES-WIRING WATER PUMP SOLI		
	21970	1	HARNES - WIRING TRUCK 4 GA		
38	11398	1	WIRE- AWG14 BLUE	300"	
39	11397	1	WIRE- AWG14 BLK	300"	
40	11401	12	WIRE- AWG14 RED		
	21684	1	MOTOR- ELECTRIC CAT PRESS SYS		
	21603	1	NOZZLE- SPRAY WAND CAT PRESS		
	21835	1	SPRAY WAND ASSY- CAT PRES PUMP		
	17353	1	TANK- CHEMICAL RESERVOIR 4GAL		
	21514	1	KIT- RE- BUILD CAT PUMP 1-2DX		
41	21717	1	FILTER- MICRO 80MS CAT PUMP		

ELECTRIC FRESHWATER DELIVERY SYSTEM

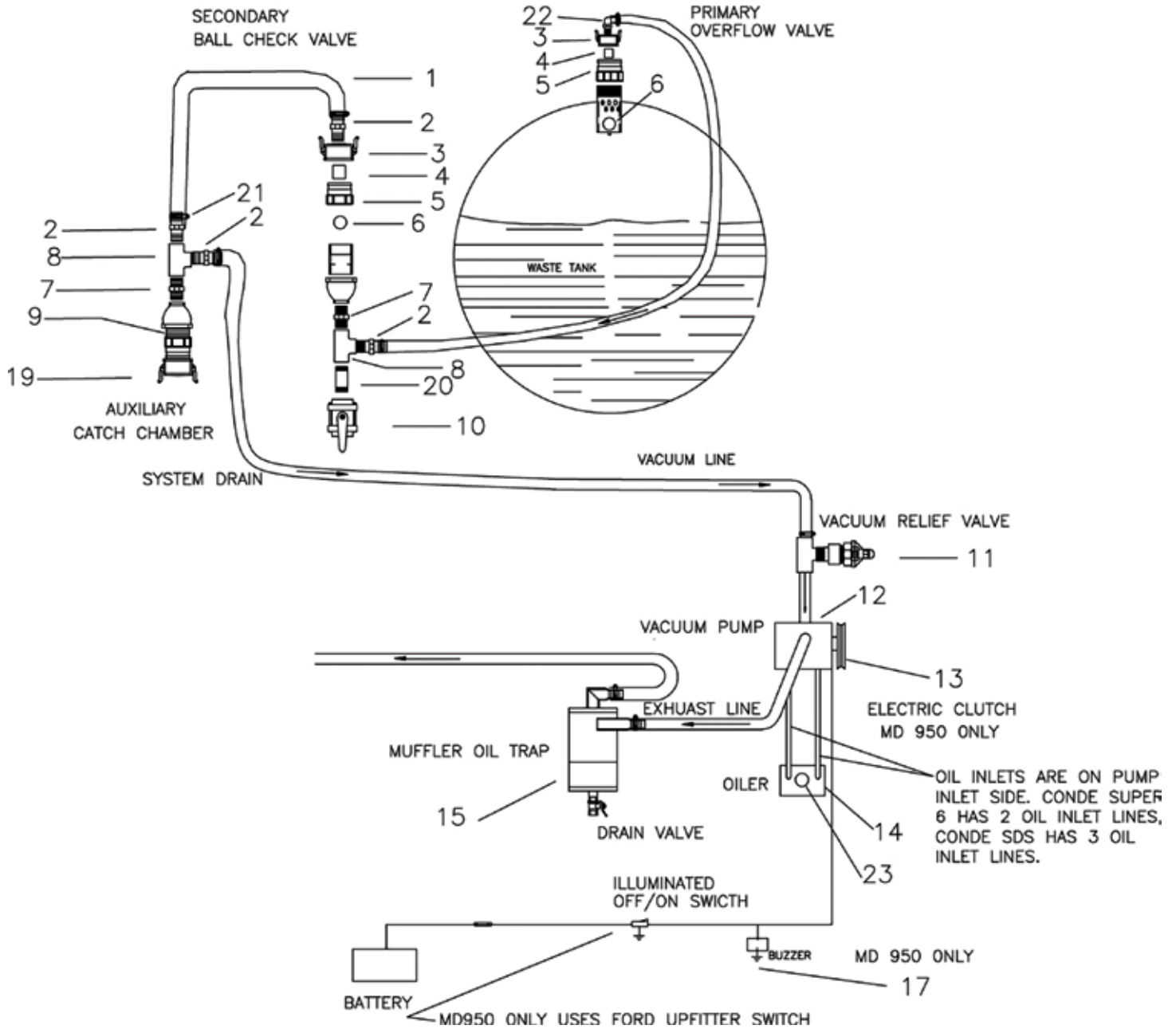


ELECTRIC FRESHWATER DELIVERY SYSTEM | PARTS

ITEM #	PART #	QPU	DESCRIPTION	COMMENT	PRICE
1	11241	1	SWITCH- LIGHTED ROCKER		
	16813		SWITCH- 15 AMP LIGHTED TOGGLE		
2	11150	1	FUSE- 20 AMP BAYONETTE		
3	18752	1	SOLENOID- BURKS PUMP 12 VOLT		
4	22215	1	CIRCUIT BREAKER- 150 AMP		
5	16696	1	KIT - BURKS DC-10 PUMP		
	22021	1	MOTOR - LEESON 12V DC-10		
	19158		KIT - PUMP BURKS DC-STNLS		
	19182	1	PUMP - WET END BURKS DC-10		
	22841	1	PUMP -WET END DC-10 BRONZE IMP		
6	16712	1	NIPPLE- 1- 1/2 CLOSE BLACK		
	21111	1	VALVE- 1- 1/4 BURKS PUMP		
7	11987	2	NIPPLE- 1- 1/4 KING PLTD		
8	10281	2	CLAMP- WORMDRIVE #20		
9	16718	1	HOSE- 1- 1/4 ID WIRE REINFORCE	48"	
11	16654	1	ELBOW- 90 1IN FPT GALV		
13	16704	1	WIRE- AWG4 BLACK		
14	11008	1	REDUCER- 1 MPT X 3/4 FPT STL		
15	13143	1	ADAPTER- 3/4 MPT X 3/4 HOSE		
16	22077	1	HOSE- 35' MED PRESSURE WASH		
17	12154	1	NOZZLE-GARDEN HOSE PISTOL TYPE		
18	16752	1	HOOK- MED PRESS WASH HOSE PLTD		
19	10454	1	ELBOW- 90 1- 1/4 STREET GALV		
20	10739	1	NIPPLE- 1- 1/4 CLOSE STL GALV		
21	11346	1	VALVE- 1-1/4 BRASS BALL		
	16726	1	VALVE- 1- 1/4 PLASTIC BALL		
22	10455	1	ELBOW- 90 1/4 STREET GALV		
23	15730	1	NIPPLE- 1/4 CLOSE BRASS		
24	10081	1	KIT - BURKS RECIRCULATING		
25	16711	1	CONNECTOR- RING #4 X 3/8 HOLE		
	22841	1	PUMP -WET END DC-10 BRONZE IMP		
	10081	1	KIT - BURKS RECIRCULATING		
26	21111	1	VALVE- 1- 1/4 BURKS PUMP		

VACUUM AIR FLOW SYSTEM

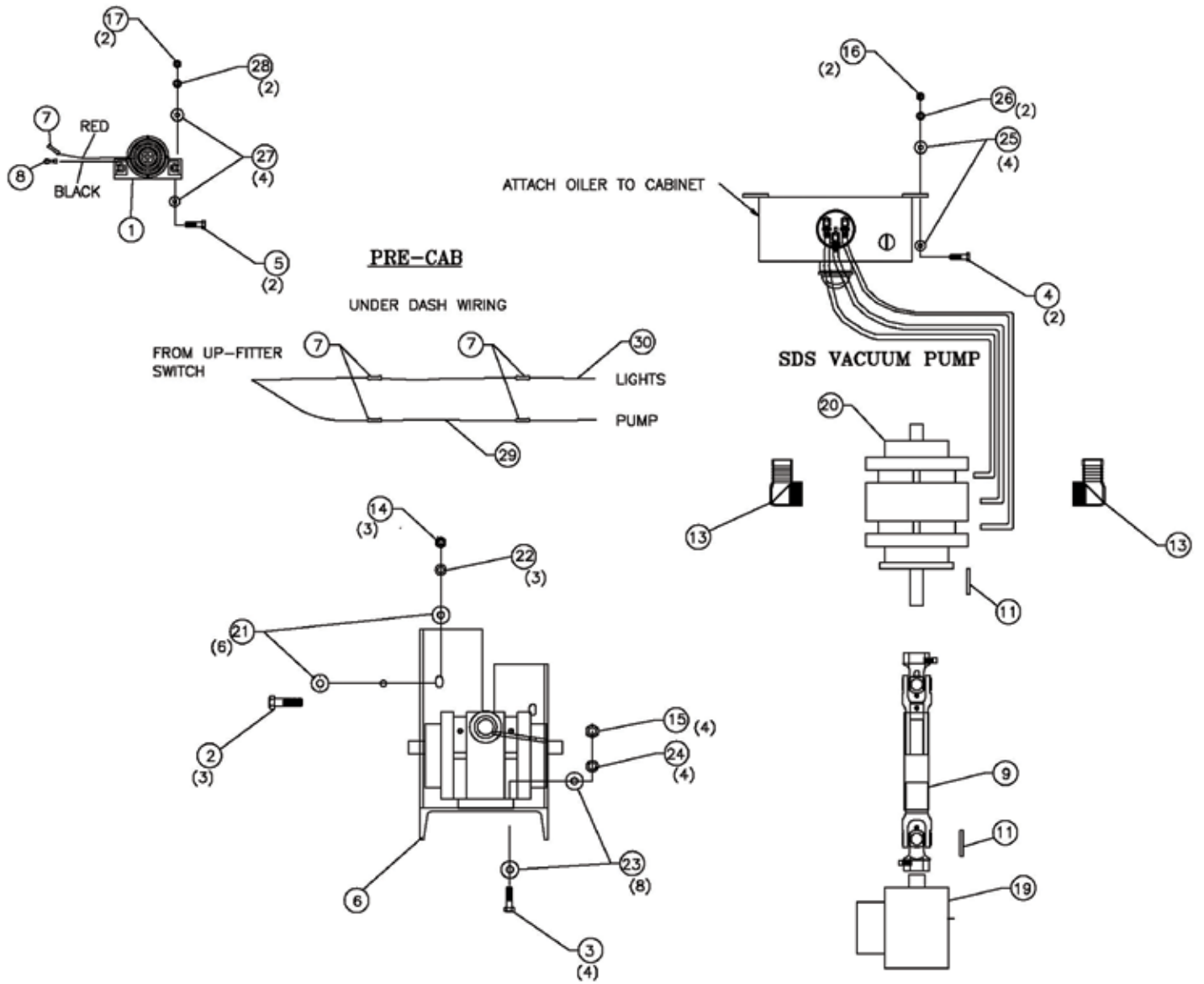
MD950- 1-1/4" COMPONENTS, M1250/M1600- 1-1/2" COMPONENTS



VACUUM AIR FLOW SYSTEM | PARTS

ITEM #	PART #	QPU	DESCRIPTION	COMMENT	PRICE
1	16718	1	HOSE- 1- 1/4 ID WIRE REINFORCE	430"	
	17868	1	HOSE- 1- 1/2 ID WIRE REINFORCE	430"	
2	16721	4	NIPPLE- 1- 1/4 KING POLYPROPYL		
	17570	4	NIPPLE- 1- 1/2 KING POLYPROPYL		
3	16729	2	CAP-3IN COUPLER DRILLED 1-1/4		
	17577	2	CAP-3IN COUPLER DRILLED 1-1/2		
4	16728	2	COUPLING-1-1/4IN POLYPROPYLEN		
	17572	2	COUPLING-1-1/2IN POLYPROPYLEN		
5	10352	2	COUPLER- 3IN CAMLOCK TYPE A		
6	10039	2	BALL- 1- 3/4 PADDLE		
7	16723	2	NIPPLE- 1- 1/4 CLOSE POLYPROPY		
	17569	2	NIPPLE- 1- 1/2 CLOSE POLYPROPY		
8	16722	2	TEE- 1- 1/4 FPT POLYPROPYLENE		
	17574	2	TEE- 1- 1/2 FPT POLYPROPYLENE		
9	10377	1	COUPLER- 3IN CAMLOCK TYPE F		
10	16726	1	VALVE- 1- 1/4 PLASTIC BALL		
	17575	1	VALVE- 1- 1/2 PLASTIC BALL		
11	15397	1	VALVE- VACUUM RELIEF 1- 1/2		
	17920	1	VALVE- PRESS RELIEF 1-1/2		
12		1	CALL FOR DETAILS		
14		1	CALL FOR DETAILS		
15		1	CALL FOR DETAILS		
19	10229	1	CAP- 3IN COUPLER DUST		
20	16727	1	NIPPLE- 1- 1/4 X 4 LONG POLYPR		
	17573	1	NIPPLE- 1- 1/2 X 4 LONG POLYPR		
21	10282	12	CLAMP- WORMDRIVE #36		
22	16724	1	ELBOW- 90 1- 1/4 MPT X INS		
	17571	1	ELBOW- 90 1-1/2 MPT X INS		
	21903		PLUG-OILER BREATHER SDS REMOTE		
	15730	1	NIPPLE- 1/4 CLOSE BRASS		
	22172		MUFFLER-1-1/2 MASP AL OIL TRAP		

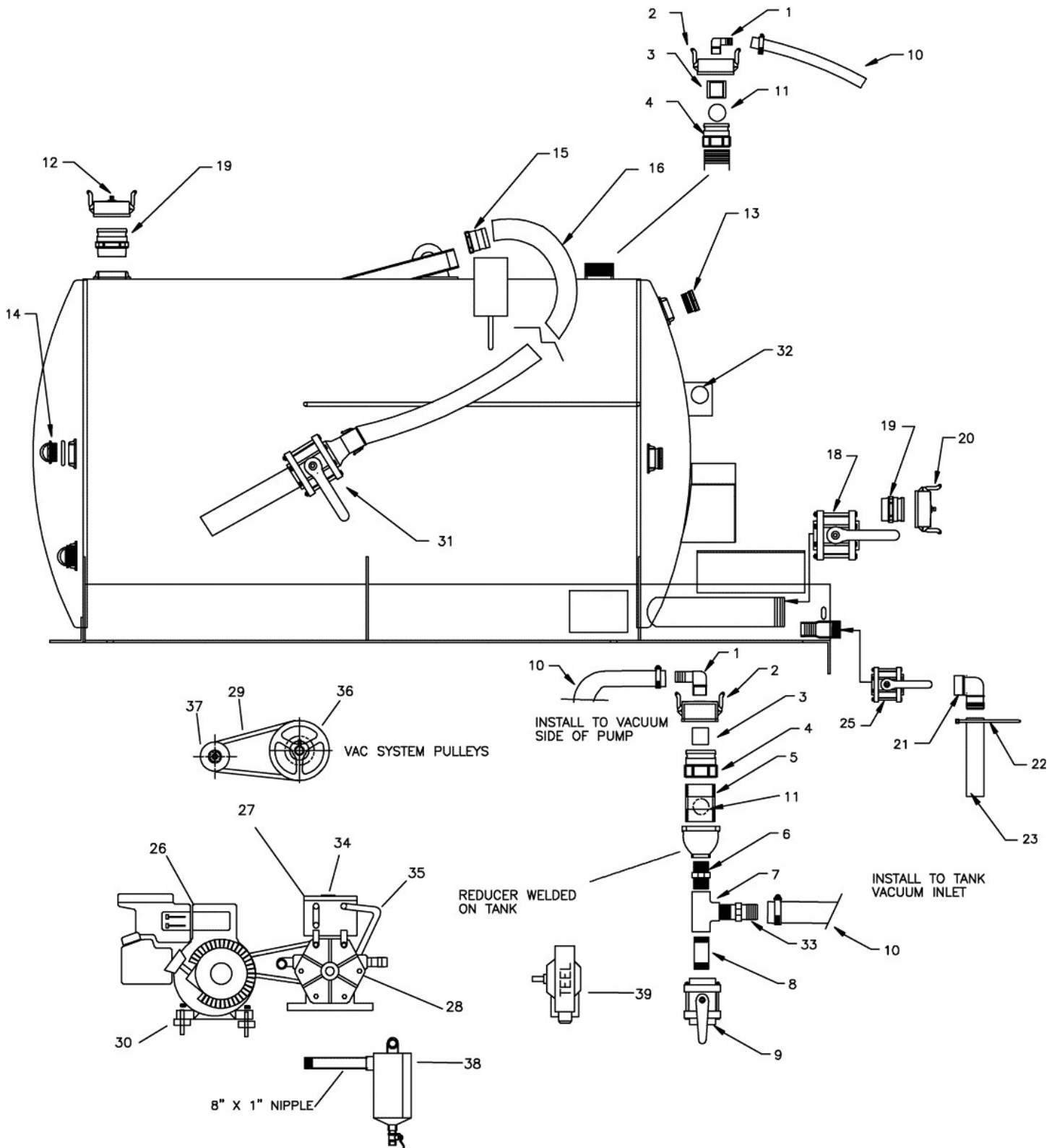
CONDE VACUUM PUMP PTO SYSTEM



CONDE VACUUM PUMP PTO | PARTS

ITEM #	PART #	QPU	DESCRIPTION	COMMENT	PRICE
1	10022	1	ALARM- BACKUP		
2	10079	3	BOLT- 1/2-13 X 1-1/2 GR8 PLTD		
3	17915	4	BOLT- 3/8-16 X 2 GRD8 PLTD		
4*	12149	2	BOLT- 5/16-18 X 3/4 HXHD GR5		
5	10089	2	BOLT- 1/4-20 X 1 GR8 PLTD		
6	21057	1	BRACKET- FORD PTO CONDE INLINE		
	21808	1	CAP- BREATHER HYD RESERVIOR		
7	10329	5	CONNECTOR- 14- 16GA BUTT WIRE		
8	18315	1	CONNECTOR- W/RING 1/4 14- 16GA		
	21490	1	COUPLING- MASP EXTENSION PTO		
9	19599	1	DRIVE SHAFT- MD950 1X1-1/4 X41		
	19578	1	ELEMENT- FILTER HYD TANK 6.4L		
	19414	1	ELBOW- 45 3IN SILCONE POLY RE		
	18115	1	ELBOW- 90 3IN SILICON POLY		
10	19311	1	FLUID- TRANSMISSION (QUART)		
11	12316	2	KEYSTOCK- 1/4		
12	10696	1	LOOM- 1/4" SPLIT WIRE	216"	
13	21055	2	NIPPLE- 1- 1/2 KING 90 DEG		
14*	10764	3	NUT- 1/2 NC		
15*	10768	4	NUT- 3/8 PLATED		
16*	10769	2	NUT- 5/16 NC		
17*	10765	2	NUT- 1/4 NC		
18	18841	2	OIL- 5W- 30 (QUART)		
19		1	CALL FOR DETAILS		
20		1	CALL FOR DETAILS		
	21513	1	SWITCH- PTO DODGE HYD 6 PIN		
21*	16427	6	WASHER- 1/2 FLAT		
22*	11375	3	WASHER- 1/2 LOCK		
23*	11367	8	WASHER- 3/8 FLAT		
24*	11378	4	WASHER- 3/8 LOCK		
25*	11368	4	WASHER- 5/16 FLAT STNLS		
26*	11379	2	WASHER- 5/16 LOCK		
27*	11364	4	WASHER- 1/4 FLAT		
28*	11376	2	WASHER- 1/4 LOCK		
29	11398	1	WIRE- AWG14 BLUE	216"	
30	11402	1	WIRE- AWG14 YELLOW	96"	
	11097	1	SIGHTGLASS- 2IN PLST + O RING		
	21771	1	PLUNGER ASSY- CONDE 6SS 1-1/2"		

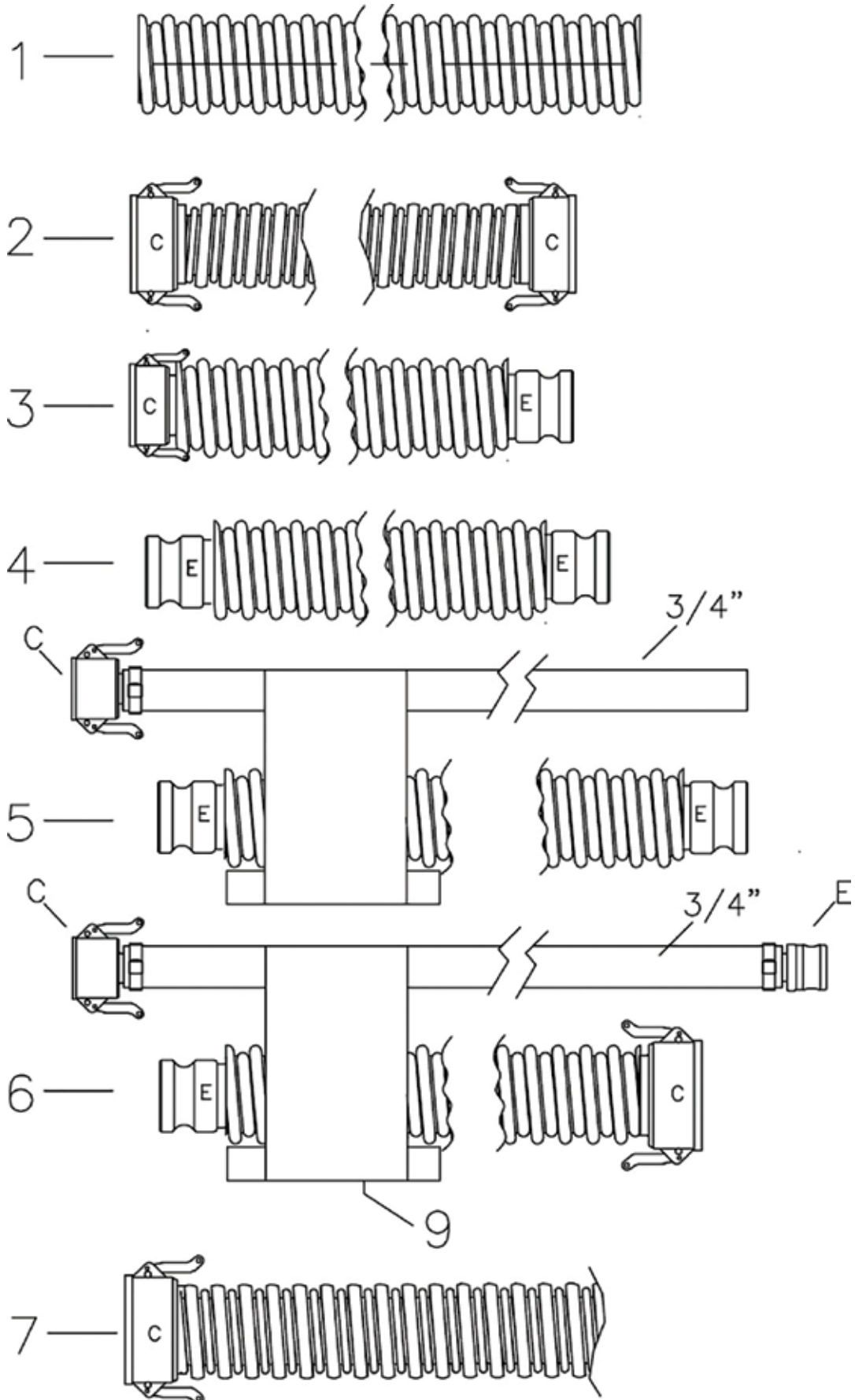
BOLT-IN MODULE MD 400 | MAJOR ASSEMBLY



BOLT-IN MODULE MD 400 | MAJOR ASSEMBLY PARTS

ITEM #	PART #	QPU	DESCRIPTION	COMMENT	PRICE
1	16724	1	ELBOW- 90 1- 1/4 MPT X INS		
2	16729	2	CAP-3IN COUPLER DRILLED 1-1/4		
3	16728	2	COUPLING-1-1/4IN POLYPROPYLEN		
4	10352	2	COUPLER- 3IN CAMLOCK TYPE A		
5	16730	1	NIPPLE- 3IN X 8IN PVC80		
6	16723	1	NIPPLE- 1- 1/4 CLOSE POLYPROPY		
7	16722	1	TEE- 1- 1/4 FPT POLYPROPYLENE		
8	16727	1	NIPPLE- 1- 1/4 X 4 LONG POLYPR		
9	16726	1	VALVE- 1- 1/4 PLASTIC BALL		
10	16718	1	HOSE- 1- 1/4 Id WIRE REINFORCE	122"	
	10603	1	HOSE- 1- 1/4 Id SYNT RUBBER	120"	
11	10039	2	BALL- 1- 3/4 PADDLE		
12	16963	1	CAP- 3IN COUPLER VENTED		
13	17950	2	SIGHTGLASS- METAL/GLAS 2IN MPT		
14	11097	2	SIGHTGLASS- 2IN PLST + O RING		
15	10350	1	COUPLER- 2IN CAMLOCK TYPE A		
16	10627	1	HOSE SERVICE- 2IN X 25' CXC		
17	13244	2	CLEVIS- 5/16 HARDENED 4700#		
18	12502	1	VALVE- 3IN PLASTIC BALL		
19	10377	2	COUPLER- 3IN CAMLOCK TYPE F		
20	10229	1	CAP- 3IN COUPLER DUST		
21	10449	1	ELBOW- 90 2 INS X 2 MPT POLY		
25	11342	1	VALVE- 2IN FULL PORT 6 BOLT		
26	14295	1	MOTOR-HONDA GX160 ELEC-START		
28	12251	1	PUMP- CONDE#6 CC STRT PUMPOILR		
28	18369	1	PUMP - CONDE#6SS 4-WAY VALVE		
29	17813	1	BELT- 5/8 X 44 V		
30	13234	4	MOUNT- 3/8 STUD VIBRATION		
31	13219	1	WAND ASSY- PVC		
32	10528	1	KIT- VACUUM GAUGE		
33	16721	1	NIPPLE- 1- 1/4 KING POLYPROPYL		
34	17555	1	PLUG- CONDE OILER 2IN VENTED		
35	11286	1	HOSE- 1/4"ID CLEAR PLASTIC OIL		
36	15804	1	PULLEY- 1 Id X 7.25 OD		
37	17814	1	PULLEY- 3/4 Id X 3.55 OD		
38	17142	1	MUFFLER- MD400 1" CONDE		
	21903	1	PLUG-OILER BREATHER SDS REMOTE		

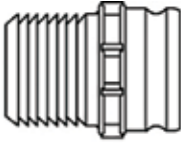
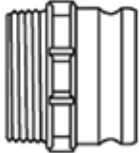
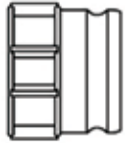
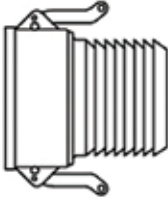

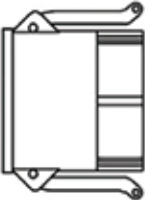

HOSE & HOSE ASSEMBLIES



HOSE & HOSE ASSEMBLIES | PARTS

ITEM #	PART #	QPU	DESCRIPTION	COMMENT	PRICE
1	17956		HOSE- 2 X25' TGERTL Wo/CUFF		
	17955		HOSE- 2 X30' TGERTL Wo/CUFF		
	17922		HOSE- 2 X40' TGERTL Wo/CUFF		
	17921		HOSE- 2 X50' TIGERTL Wo/CUFF		
2	10627		HOSE SERVICE- 2IN X 25' CXC		
	11687		HOSE SERVICE- 2IN X 30' CXC		
	12501		HOSE SERVICE - 2IN X 40' CXC		
	12190		HOSE SERVICE- 2IN X 50' CXC		
3	16734		HOSE - 2 X30' TGERTL CxE COUPL		
	12699		HOSE- 2 X40' TGERTL CxE COUPLR		
	16033		HOSE- 2 X25' TGERTL CxE COUPLR		
4	16524		HOSE- 2 X25' TGERTL ExE COUPLR		
	17957		HOSE- 2 X30' TGERTL ExE COUPLR		
5	11879		HOSE ASSY- 2 X25' WASTE/FRESH		
	11078		HOSE ASSY- 2 X30' WASTE/FRESH		
6	12599		HOSE ASSY- 2 X25' WST/FRSH EXT		
7	16925		DUMP HOSE- 3 X 5' C- TIGERTAIL		
	16926		DUMP HOSE-3 X 10' C-TIGERTAIL		
	13909		DUMP HOSE- 4 X 5' C- TIGERTAIL		
	13252		DUMP HOSE-4" X 10' C-TIGERTAIL		
	11288		HOSE- 4IN SHRINK WRAP		
	10534		GAUGE - PRESSURE 0 TO 30 PSI		
	10532		GASKET- 3IN QUICK COUPLER		
	10533		GASKET- 4IN QUICK COUPLER		

COUPLERS & ADAPTERS

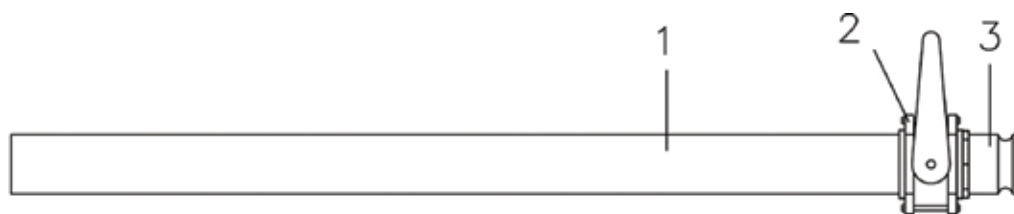
1	—		E	MALE ADAPTER, HOSE SHANK
2	—		F	MALE ADAPTER, MALE THREAD
3	—		A	MALE ADAPTER, FEMALE THREAD
4	—		C	FEMALE COUPLER, HOSE SHANK
5	—		B	FEMALE COUPLER, MALE THREAD
6	—		D	FEMALE COUPLER, FEMALE THREAD
7	—			2" CAP 3" CAP 4" CAP

COUPLERS & ADAPTERS | PARTS

ITEM #	PART #	QPU	DESCRIPTION	COMMENT	PRICE
1	10371		COUPLER- 3/4IN CAMLOCK TYPE E		
	10369		COUPLER- 2IN CAMLOCK TYPE E		
2	10375		COUPLER- 2IN CAMLOCK TYPE F		
	10377		COUPLER- 3IN CAMLOCK TYPE F		
	13912		COUPLER- 4IN CAMLOCK TYPE F		
3	11615		COUPLER- 3/4IN CAMLOCK TYPE A		
	10350		COUPLER- 2IN CAMLOCK TYPE A		
	10352		COUPLER- 3IN CAMLOCK TYPE A		
4	10362		COUPLER- 3/4IN CAMLOCK TYPE C		
	10359		COUPLER- 2IN CAMLOCK TYPE C		
	10361		COUPLER- 3IN CAMLOCK TYPE C		
	13908		COUPLER- 4IN CAMLOCK TYPE C		
5			CALL FOR DETAILS		
6	10365		COUPLER- 2IN CAMLOCK TYPE D		
7	15761		CAP- 2IN COUPLER DRILLED		
	16963		CAP- 3IN COUPLER VENTED		
	10228		CAP- 2IN COUPLER DUST		
	10229		CAP- 3IN COUPLER DUST		
	13913		CAP- 4IN COUPLER DUST		

WAND ASSEMBLY

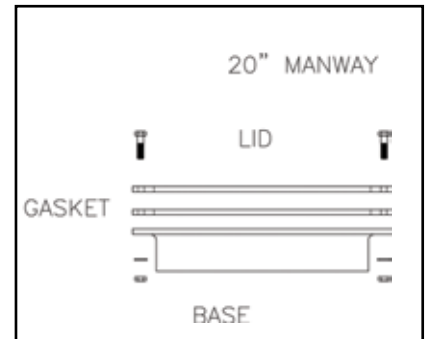
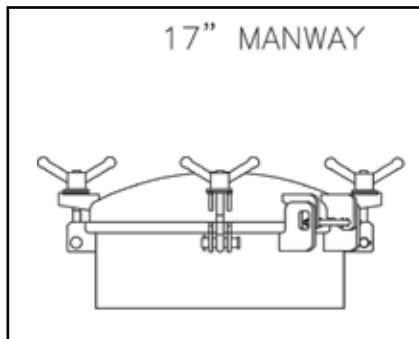
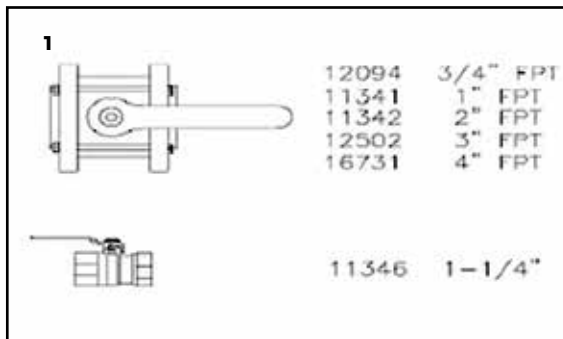
PLASTIC ———



WAND ASSEMBLY | PARTS

ITEM #	PART #	QPU	DESCRIPTION	COMMENT	PRICE
	13219		WAND ASSY- PVC		
	23750	1	WAND ASSY - ALUMINUM		
1	13218	1	TUBE- WAND PVC 30IN		
2	11342	1	VALVE- 2IN FULL PORT 6 BOLT		
3	10375	1	COUPLER- 2IN CAMLOCK TYPE F		

VALVES & MANWAYS



VALVES & MANWAYS | PARTS

ITEM #	PART #	QPU	DESCRIPTION	COMMENT	PRICE
1	11341		VALVE- 1IN PLASTIC BALL		
	11342		VALVE- 2IN FULL PORT 6 BOLT		
	16726		VALVE- 1- 1/4 PLASTIC BALL		
	17575		VALVE- 1- 1/2 PLASTIC BALL		
	12502		VALVE- 3IN PLASTIC BALL		
	16731		VALVE- 4IN PLASTIC BALL		
	12094		VALVE- 3/4 PLASTIC BALL		
	11354		VALVE- 3/4 PRESSURE RELIEF		
	15397		VALVE- VACUUM RELIEF 1- 1/2		
	11015		KIT- 2IN BALL VALVE REPAIR		
	10691		HANDLE- 3/4&1&1-1/4 BALL VALVE		
	10561		HANDLE- 2&3&4IN BALL VALVE PLS		
	16675		INSERT-HITCH SHORT/DROP W/BALL		
	14379		MANWAY- 17IN QUICK OPENING		
	17964		KIT- 20IN MANWAY FRESH		
	21552		KIT- PATHFINDER DIS SYS CAT		
	14379		MANWAY- 17IN QUICK OPENING		
	17964		KIT- 20IN MANWAY FRESH		
	13688		GASKET- 20IN MANWAY		

VALVE MOUNTS & REPAIR KITS

ITEM #	PART #	QPU	DESCRIPTION	COMMENT	PRICE
	16323		VALVE-1-1/2 4-WAY REMOTE MNT		
	17920		VALVE- PRESS RELIEF 1-1/2		
	16812		VALVE-1-1/4 4-WAY REMOTE MNT		
	15397		VALVE- VACUUM RELIEF 1- 1/2		
	19092		KIT-REPAIR 1-1/4 4-WAY VALVE		
	19093		KIT-REPAIR 1-1/2 4-WAY VALVE		

PUMPS

ITEM #	PART #	QPU	DESCRIPTION	COMMENT	PRICE
	16732		PUMP- C6SS TAPERED W/CLUTCH		
	18184		PUMP-C6SS TPRD V-BELT W/CLTCH		
	16322		PUMP- CONDE #6 SS LH TAPER CW		
	18350		PUMP- CONDE 12SDS		
	18101		PUMP- CONDE #6SDS W/OILER		
	20386		PUMP - MASP HXL75V - 2-1/2"		
	15884		PUMP - MASPORT HXL4F FLANGE		
	22129		PUMP- CHALLENGER NVE 304 CW		

REPAIR KITS & VANES

ITEM #	PART #	QPU	DESCRIPTION	COMMENT	PRICE
	16716		KIT- REPAIR CONDE #3 PUMP		
	16714		KIT- REPAIR CONDE #6 PUMP		
	22761		KIT - REPAIR NVE 304 W/BEARING		
	21388		KIT- REPAIR MASP HXL/HD75V PMP		
	16715		KIT- REPAIR CONDE 6SS PUMP		
	19567		KIT- REPAIR CONDE 6SDS PUMP		
	19032		KIT- REPAIR CONDE 12SDS PUMP		
	18257		KIT- REPAIR HXL4/HD4 PUMP		
	19167		VANE- (1) CONDE 12SDS #18350		
	18258		VANE- HXL/HD4 MASP SET/4 15884		

BELTS & IDLERS

ITEM #	PART #	QPU	DESCRIPTION	COMMENT	PRICE
	19412		BELT-1/2 X 66.69 (V) A-GROOVE		
	14233		BELT- SERPENTINE 118.75		
	14509		BELT- SERPENTINE 120.50		
	15070		BELT- SERPENTINE 122.165		
	18108		BELT- 1/2 X 70 V (KEV A- GRV)		

CLUTCHES

ITEM #	PART #	QPU	DESCRIPTION	COMMENT	PRICE
	16738		CLUTCH- 8 GROOVE SERP 0.62 ID		
	10306		CLUTCH- ELTR A- GROOVE 6IN		

RESERVOIRS

ITEM #	PART #	QPU	DESCRIPTION	COMMENT	PRICE
	16043		OIL RESERVOIR- MASPORT HXL/HD		
	16525		OILER- CONDE Ss W/8' HOSE		
	13660		OILER- MASPORT		
	18840		OILER- CONDE 6/12SDS REMOTE		
	21684		MOTOR- ELECTRIC CAT PRESS SYS		
	21903		PLUG-OILER BREATHER SDS REMOTE		
	21451		FLUSH KIT- MASPORT UNIVERSAL		
	18840		OILER- CONDE 6/12SDS REMOTE		
	21684		MOTOR- ELECTRIC CAT PRESS SYS		
	21903		PLUG-OILER BREATHER SDS REMOTE		