



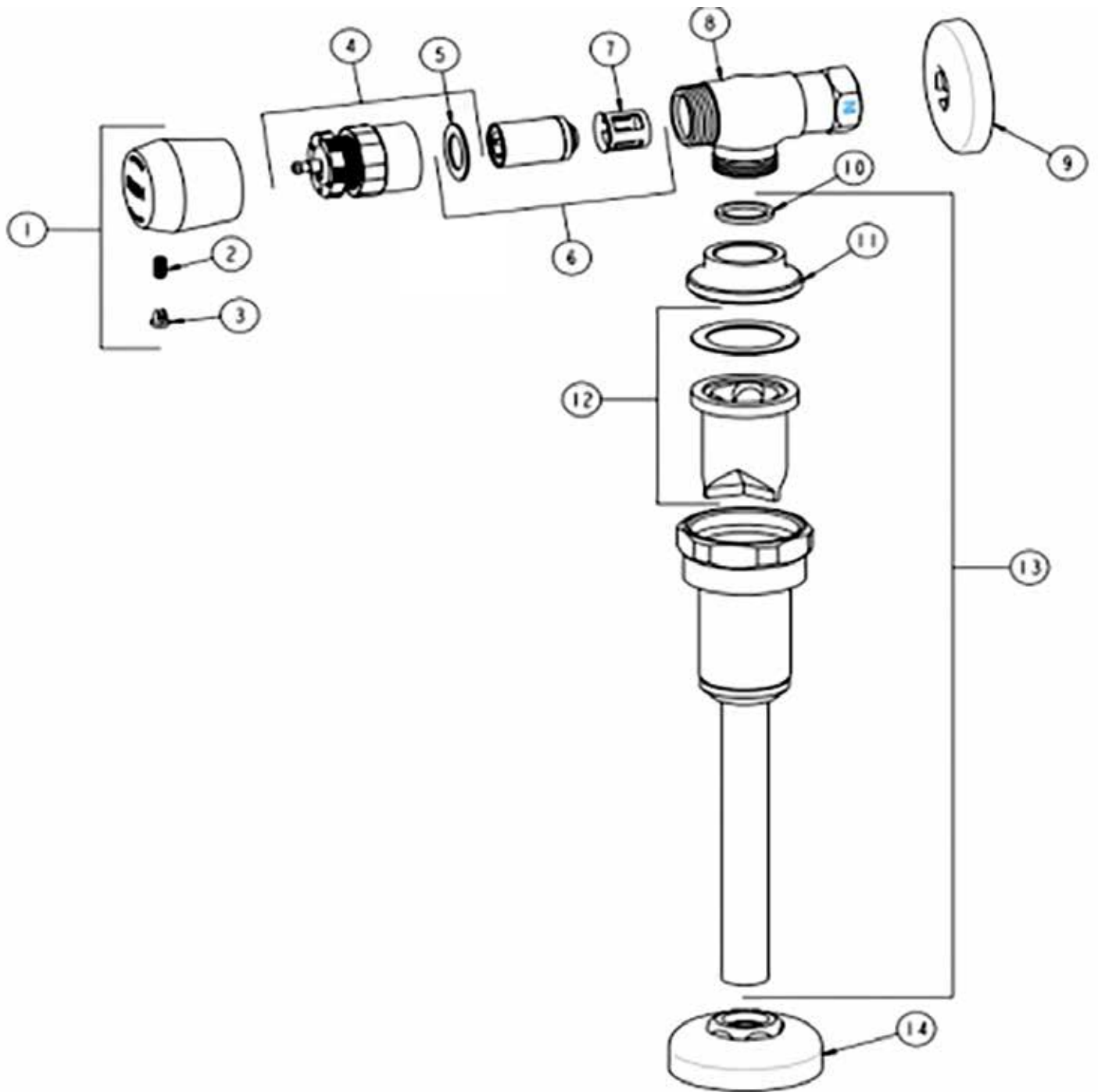
# TRAILERS



# TABLE OF CONTENTS

- 3 URINAL VALVE**
- 5 TOILET SEAT**
- 6 SINK DIAGRAM**
- 7 ADDITIONAL PARTS**

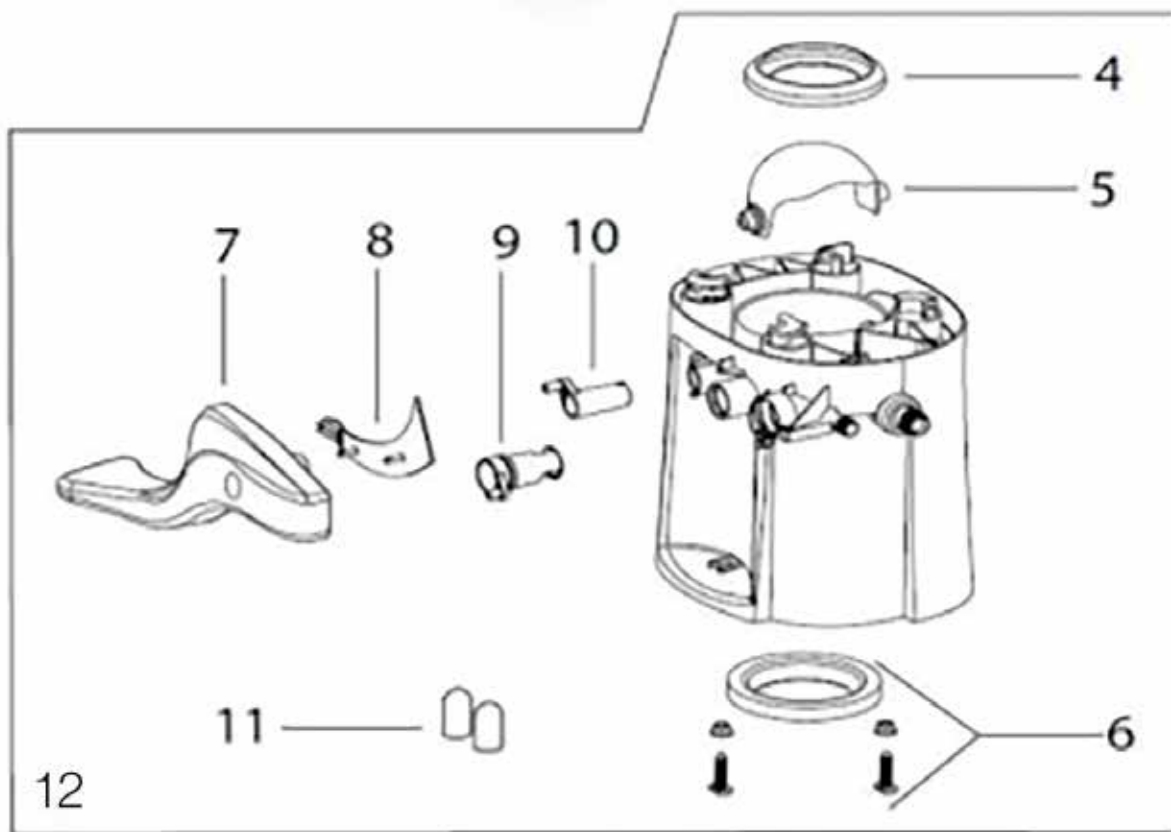
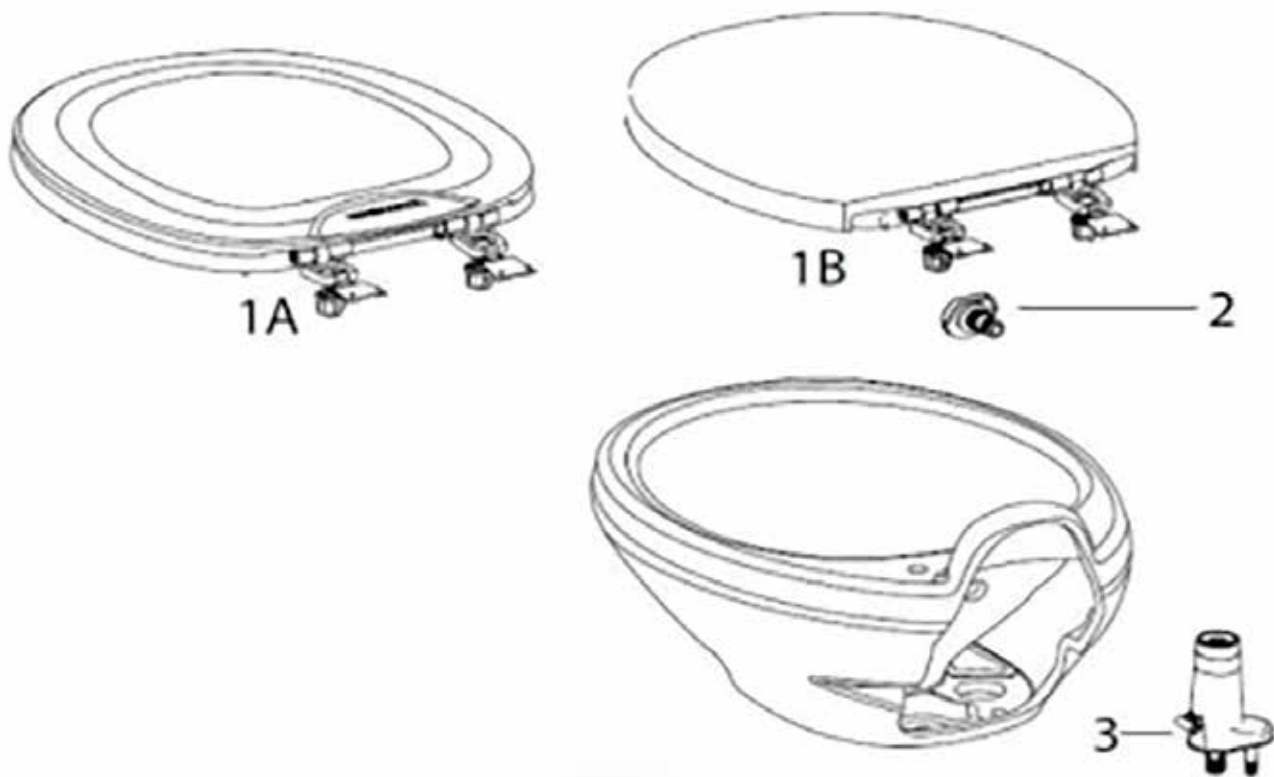
# URINAL VALVE



## URINAL VALVE PARTS

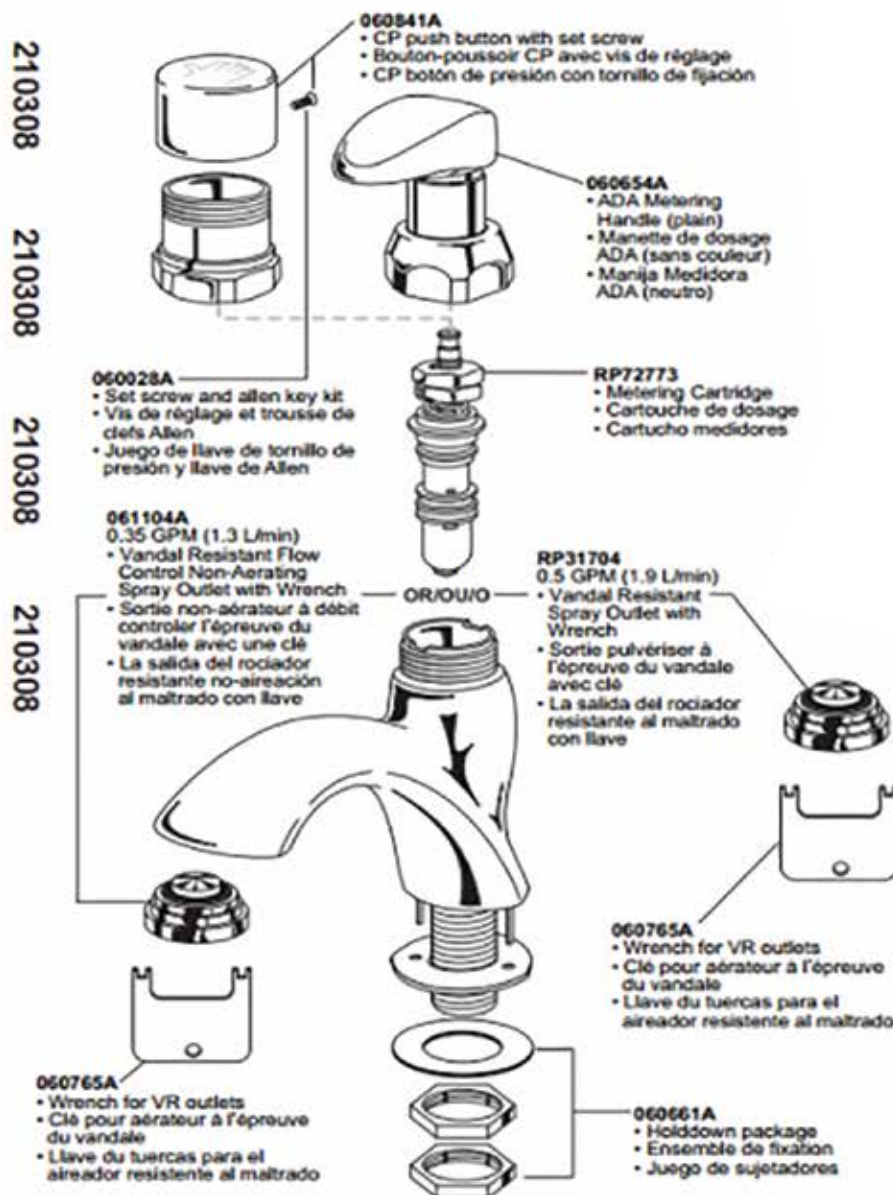
ITEM #	PART #	QPU	DESCRIPTION	COMMENT	PRICE
	50046	1	URINAL VALVE COMPLETE		
1		1	CALL FOR DETAILS		
2		1	CALL FOR DETAILS		
3		1	CALL FOR DETAILS		
4	52181	1	ACTUATOR ASSEMBLY		
5		1	CALL FOR DETAILS		
6	51006	1	URINAL VALVE REPAIR CARTRIDGE		
7		1	CALL FOR DETAILS		
8		1	CALL FOR DETAILS		
9		1	CALL FOR DETAILS		
10		1	CALL FOR DETAILS		
11		1	CALL FOR DETAILS		
12		1	CALL FOR DETAILS		
13	52145	1	VACUUM PUMP FOR URINAL		
14		1	CALL FOR DETAILS		

# TOILET SEAT



## TOILET SEAT PARTS

ITEM #	PART #	QPU	DESCRIPTION	COMMENT	PRICE
1A	50406	1	TOILET STILE II HG WHT		
1B	50048		TOILET SEAT AND LID WHT		
2			CALL FOR DETAILS		
3	51853	1	TOILET VACUUM BREAKER THETFORD		
4	50715		TOILET WASTE BALL SEAL KIT		
6	50712		TOILET CLOSET SEAL KIT		
7	51630		TOILET PEDAL REPLACEMENT KIT		
8			CALL FOR DETAILS		
9	50714		TOILET WATER VALVE KIT		
11			CALL FOR DETAILS		
12	50219	1	TOILET BASE REPL/H/WHTE		



## ADDITIONAL PARTS

ITEM #	PART #	QPU	DESCRIPTION	COMMENT	PRICE
	50045		FAUCET METERED CHROME - DELTA		
	51002		FAUCET REPAIR CARTRIDGE		
	50147		FENDER- S/AXLE 10 3/4X36X18		
	50328		FENDER LIGHT AMBER/RED RH		
	50329		FENDER LIGHT AMBER/RED LH		
	50044		PUMP- WATER		
	52268		FILTER- WATER PUMP LIPPERT		
	50433		WATER STRAINER 100 MESH		
	51788		WATER STRAINER BASE ONLY		
	50009		WATER HEATER 2.5G 110V		
	50407		CONVERTER/CHARGER 80 AMP		
	50708		CONVERTER/CHARGER 45 AMP		
	50309		A/C 13.5 BRISK II WHITE		
	50126		THERMOSTAT F/DUCTED A/C		
	50127		KIT SENSOR F/ DUCTED A/C		
	50128		KIT MUTIZONE F/DUCTED A/C		
	50310		HVAC COOL AIR DIVERTER F/DUCT		
	50313		KIT HEAT F/ DUCTED AC 10/14/18		
	50439		KIT HEAT KIT NON DUCTED		
	50438		KIT ADB MECH UN DUCTED		
	50365		VENT 14" 12V CEILING		
	50366		VENT 14" GARNISH WHITE		
	50344		COVER MAXXAIR WHITE		
	50087		VENT ROOF STINK PIPE COVER		
	50007		TAPE- SIKA 2.75" WHT ROOF SEAL		
	50046		URINAL VALVE COMPLETE		
	52145		VACUUM PUMP FOR URINAL		
	51006		URINAL VALVE REPAIR CARTRIDGE		
	50047		URINAL TOTO 1.8 GAL/FLUSH		
	52249		CHICAGO GOOSE NECK FAUCET		
	50707		KNOB- SUITE F/URINAL FAUCET		
	50294		HEATER SERVICE AREA		
	50295		HEATER MOUNTING KIT		
	50315		HEATER- KICKSPACE HEATER 1500W		
	50759		LIGHT- 4" LED SURFACE WHT LENS		
	52158		STEP- 6' WIDE TOP FOLDING-24"		
	52271		CHANNEL 2X6X29 PC BLACK		
	50991		PIN .25 X 2.5 WIRELOCK		
	50406		TOILET STILE II HG WHITE		
	50048		TOILET SEAT AND LID WHT		
	51630		TOILET PEDAL REPLACEMENT KIT		

## ADDITIONAL PARTS (CONTINUED)

ITEM #	PART #	QPU	DESCRIPTION	COMMENT	PRICE
	50712		TOILET CLOSET SEAL KIT		
	50715		TOILET WASTE BALL SEAL KIT		
	51853		TOILET VACUUM BREAKER THETFORD		
	56884		KIT, WASTE BALL DA, STYLE II		
	50219		TOILET BASE REPL/H/WHITE		
	50714		TOILET WATER VALVE KIT		
	50756		TOILET KIT JETS50M VAC		
	51850		SEAT AND COVER F/JETS 50M		
	51857		JETS- VTS CONTROLLER VOD S12		
	55810		JETS ULTIMATE C200-12V		
	51993		VACUUM TRANSMITTER		
	54605		VALVE - CFD VALVE 12VDC		
	50410		SWITCH- FLUSH F/VACUUM TOILET		
	50755		PUMP VACUUM SYSTEM 12VOLT		
	56366		JETS OVERHAUL KIT		
	56367		JETS O-RING KIT		
	52903		JETS- VTS CONTROLLER VOD		
	56667		JETS ULTIMATE C200-230-240/50		
	52923		PUMP- VAC SYSTEM ULTIMA 230V		
	54355		TOILET - JETS - CHARM VOD		
	55809		TOILET SEAT AND COVER F/CHARM		
	53417		TRANSFORMER- 5000 WATTS		
	50944		PUMP 3/4 HP TANKLESS		
	50794		WATER HEATER TNKLESS NAVIEN240		
	50417		WATER HEATER 6G AOSMITH		
	51773		TOILET - DOMETIC 510 WHITE		
	58486		ELECTRONIC ADB F/FURRIION AC		
	58488		AC, FURRIION CHILL 13.5K HE AC		
	58165		URINAL GERBER URINAL		
	52976		TOILET- SPRING CARTRIDGE		