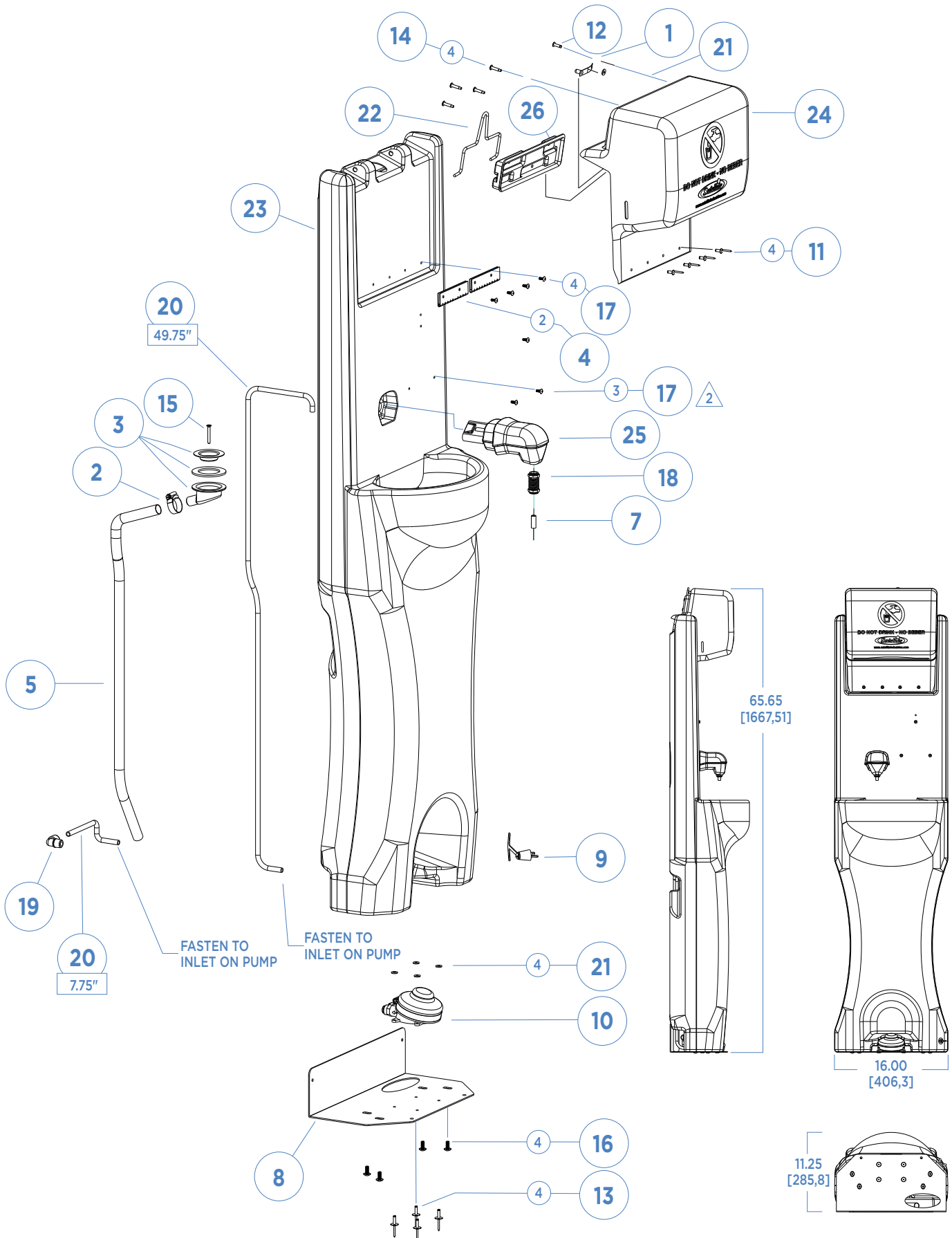


AGWASH | MAJOR ASSEMBLY



AGWASH | MAJOR ASSEMBLY PARTS

ITEM #	PART #	QPU	DESCRIPTION	COMMENT	PRICE
1	22287	1	BUTTON- 5/8 SPRING ARM HANDWSH		
2	12588	1	CLAMP- WORMDRIVE #12		
3	21460	1	DRAIN- AGWASH		
4	21452	2	HINGE- AGWASH		
5	16392	37.5"	HOSE- 3/4 LOW PRESSURE		
6	21462	1	INSTRUCTION- AGWASH		
7	16819	1	NOZZLE- THE WAVE		
8	21464	1	PLATE- AGWASH		
9	20576	1	PLUG- 3/4 EXPANDING W/TETHER		
10	16305	1	PUMP- BABY FOOT 3/8 HOSE INS		
11	12393	4	RIVET- #64 AAP POP		
12	11027	1	RIVET- #66 ALUM		
13	11054	4	RIVET- #68 AAL POP		
14	18755	4	RIVET- AVDEL SILVER LONG		
15	17505	1	SCREW- 10-24 X 1-1/2 STNLS PH		
16	21465	4	SCREW- 1/4- 20 X 5/8 TRUSS Ss		
17	21466	7	SCREW- 8-32 X 7/16 TRUSS PH Ss		
18	16823	1	TS FITTING- 3/8 HOS X BULKHEAD		
19	16301	1	TS FITTING- 90DEG 3/8 HOSXNPTF		
20	16304	57.5"	TS HOSE- 3/8 OD TUBING		
21	11315	5	WASHER- 3/16 RIVET STNLS		
22	21467	1	WIREFORM- AGWASH		
23	21459	1	BODY- AGWASH		
24	21461	1	HOUSING- AGWASH P/TOWEL		
25	21463	1	NOZZLE- AGWASH		
26	22647	1	PLATE- AGWASH WIREFORM		
	21731	1	KIT- AGWASH FASTENER		
	21993	1	KIT- AGWASH PAPER TOWEL HASP		
	24945	1	DISPENSER- UNIVERSAL II 800ML		
	24946	1	DISPENSER- UNIVERSAL II 1000ML		
	20892	1	DISPENSER FOAM SOAP/SAN- 1000M		